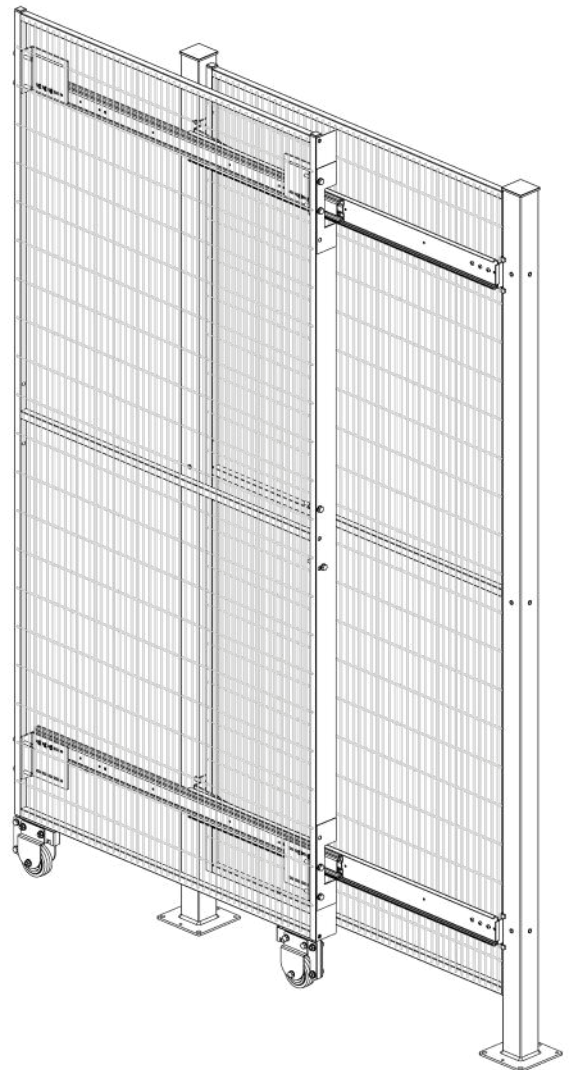
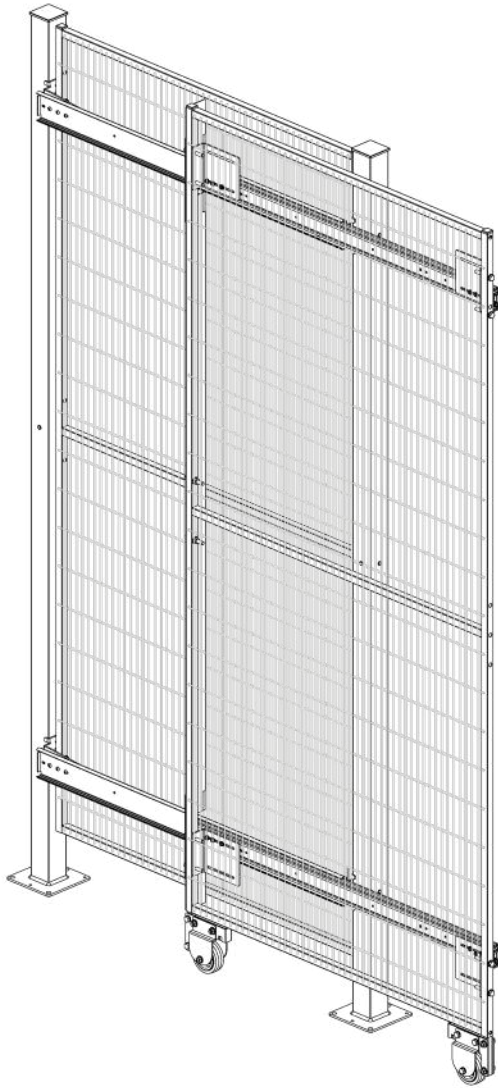


OPPOSED

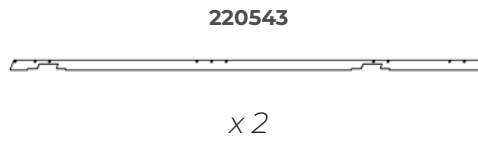
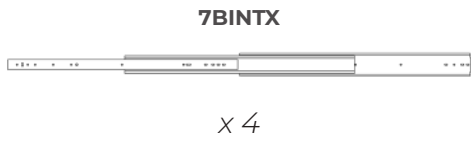
Open Passage TX Sliding Door

ASSEMBLY INSTRUCTIONS

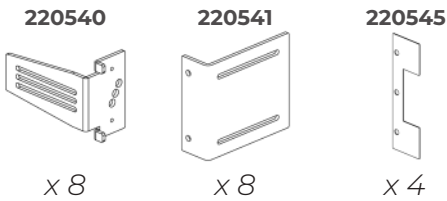


Opposed Open Passage TX Sliding Door

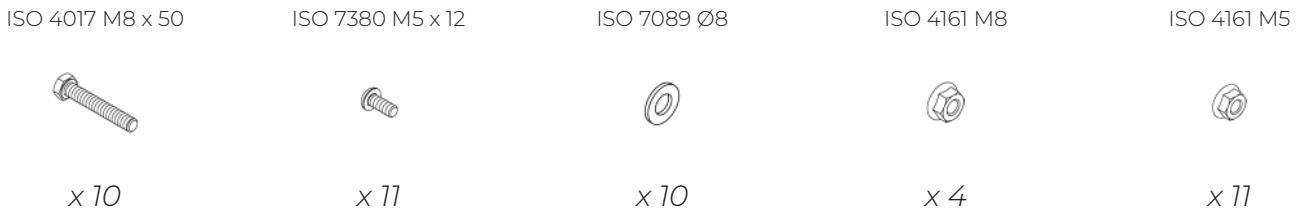
ASSEMBLY INSTRUCTIONS



403000000000013

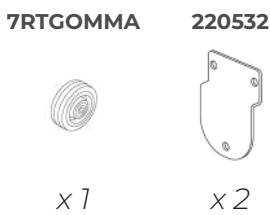
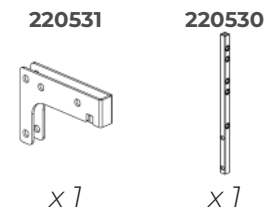


400100000000005 X4

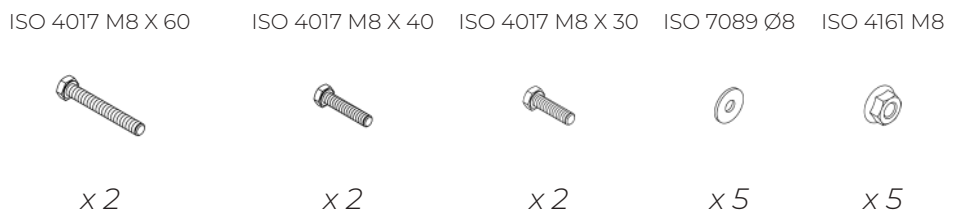


403000000000019

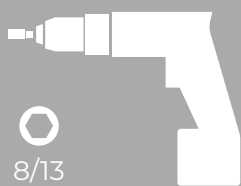
401100000000006 X4



400100000000002

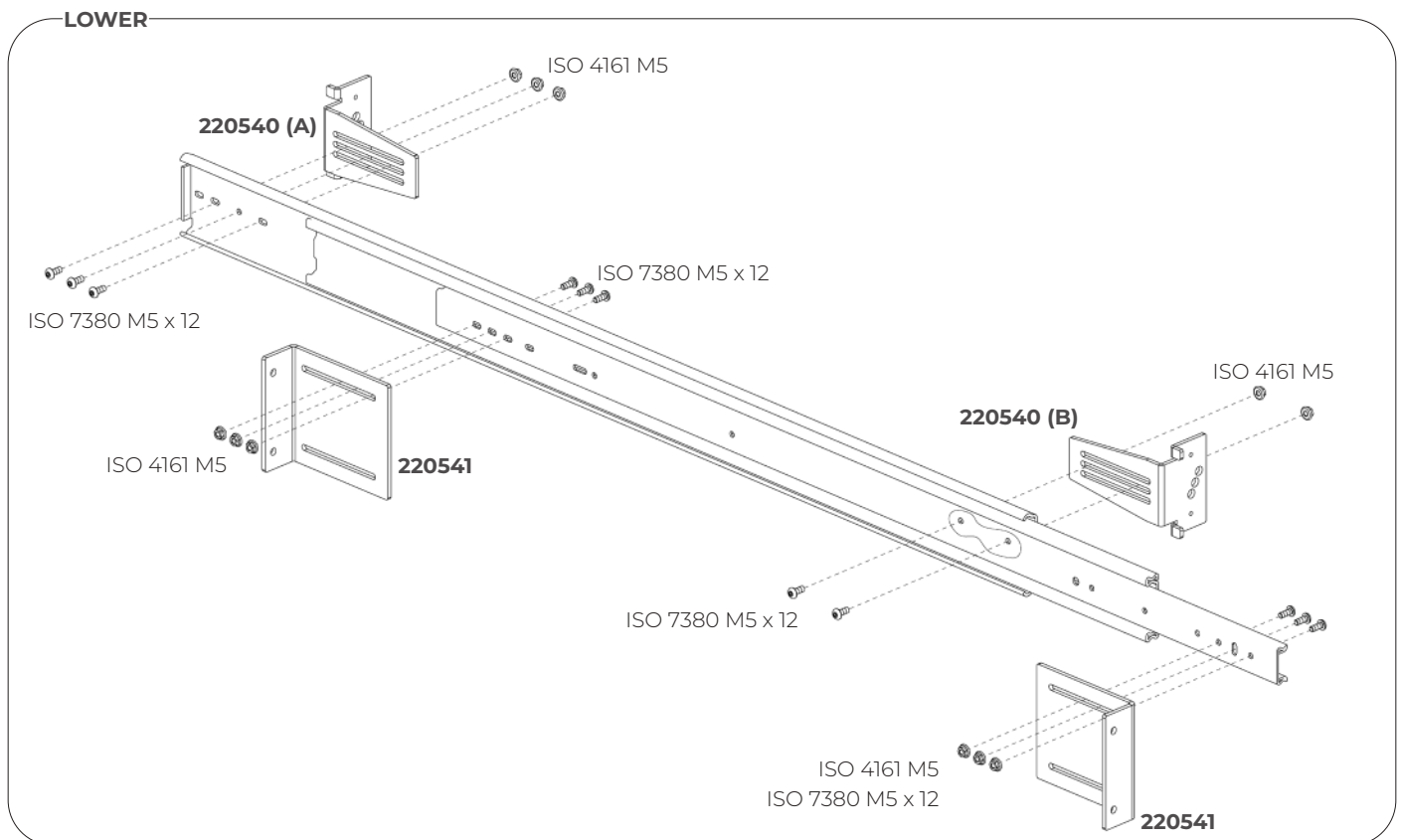
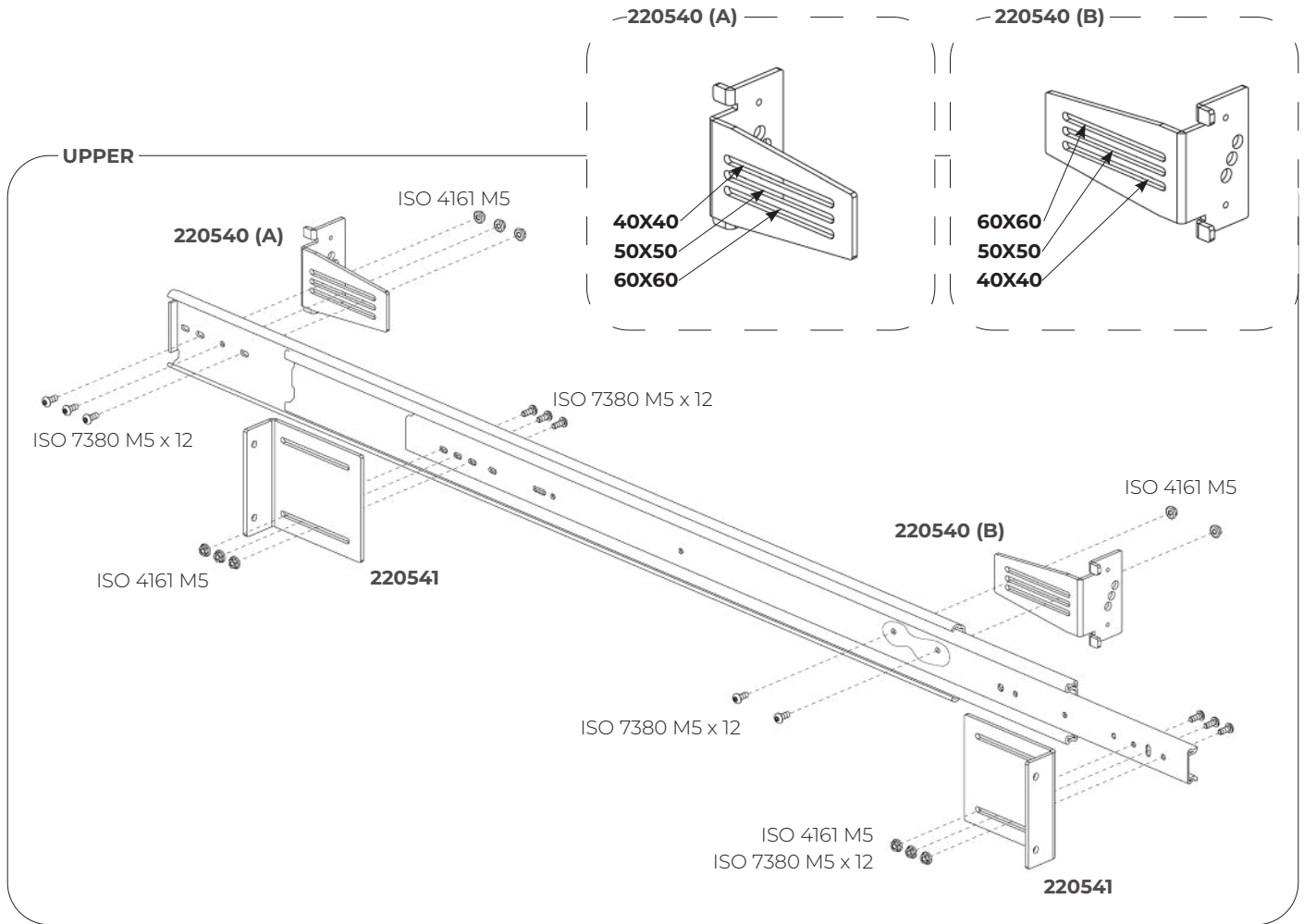


Tools



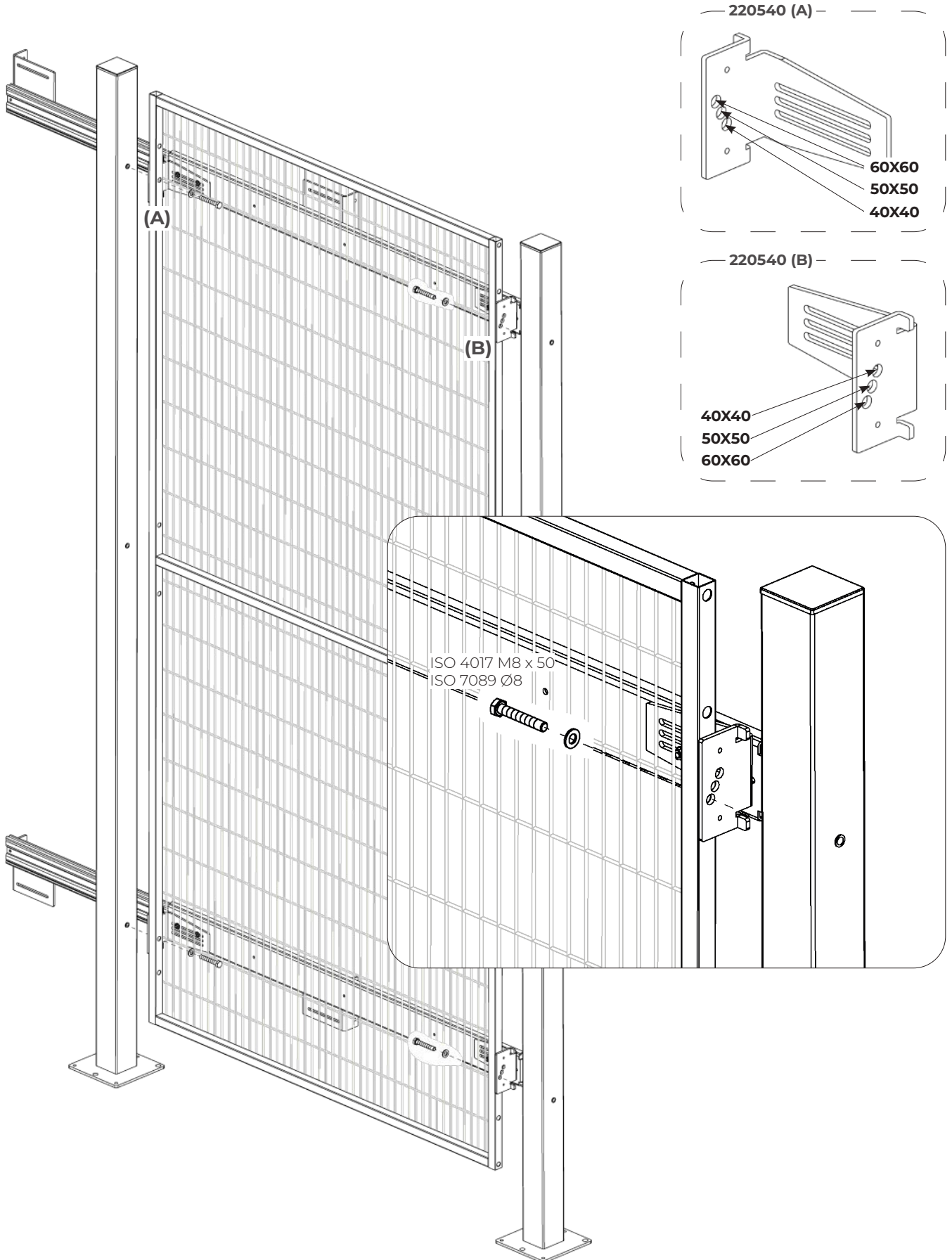
Opposed Open Passage TX Sliding Door

ASSEMBLY INSTRUCTIONS



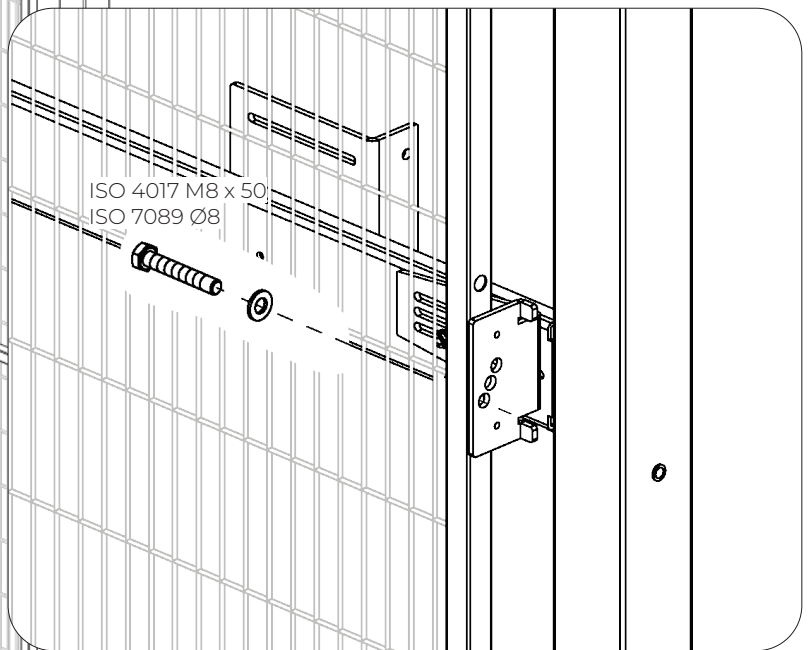
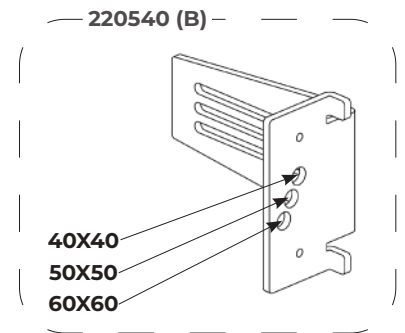
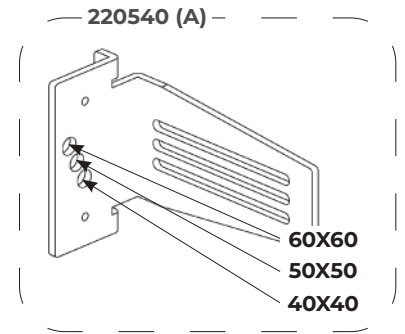
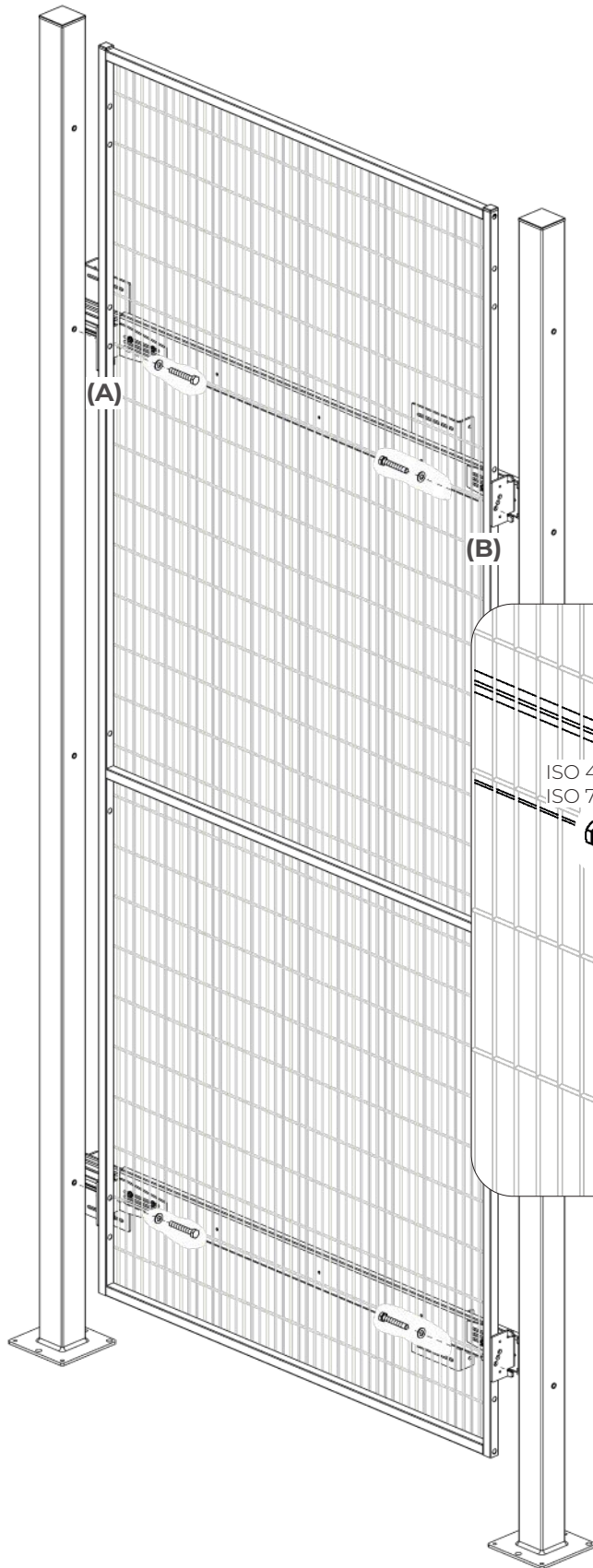
Opposed Open Passage TX Sliding Door

ASSEMBLY INSTRUCTIONS



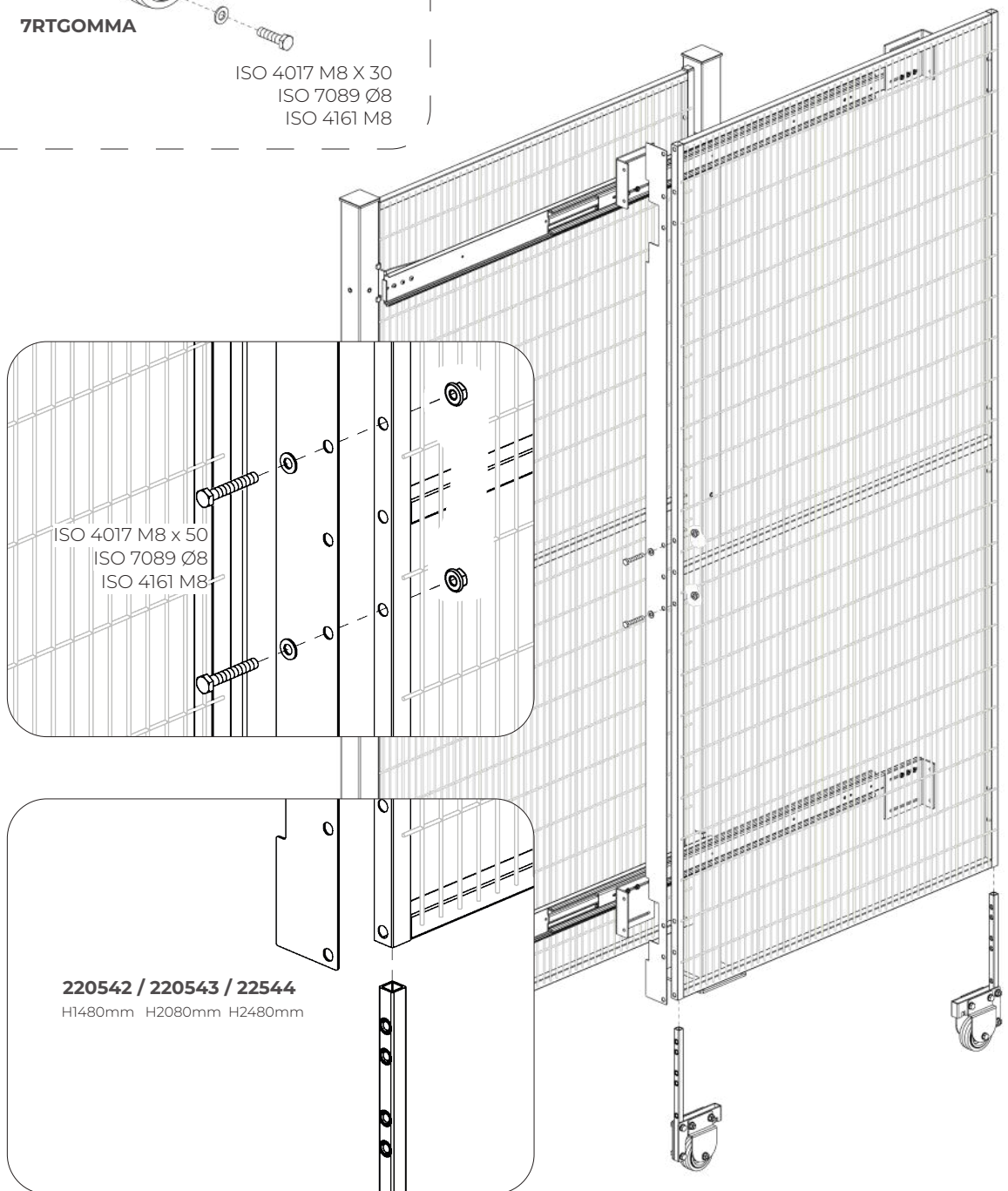
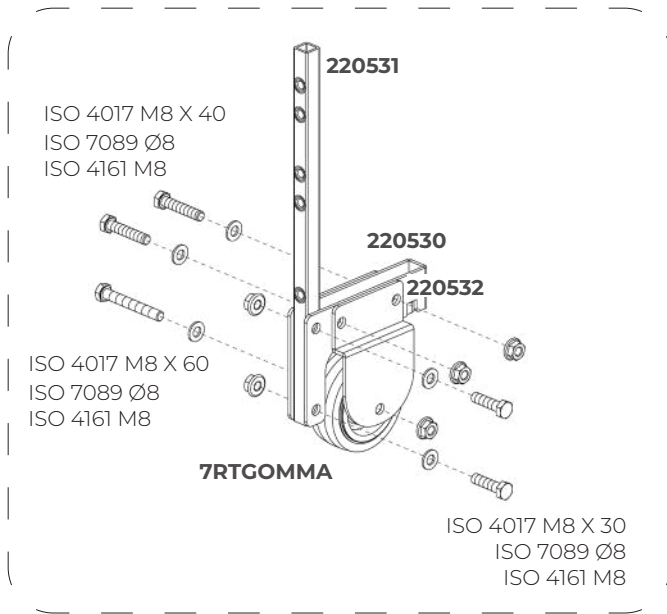
Opposed Open Passage TX Sliding Door

ASSEMBLY INSTRUCTIONS - H 2640



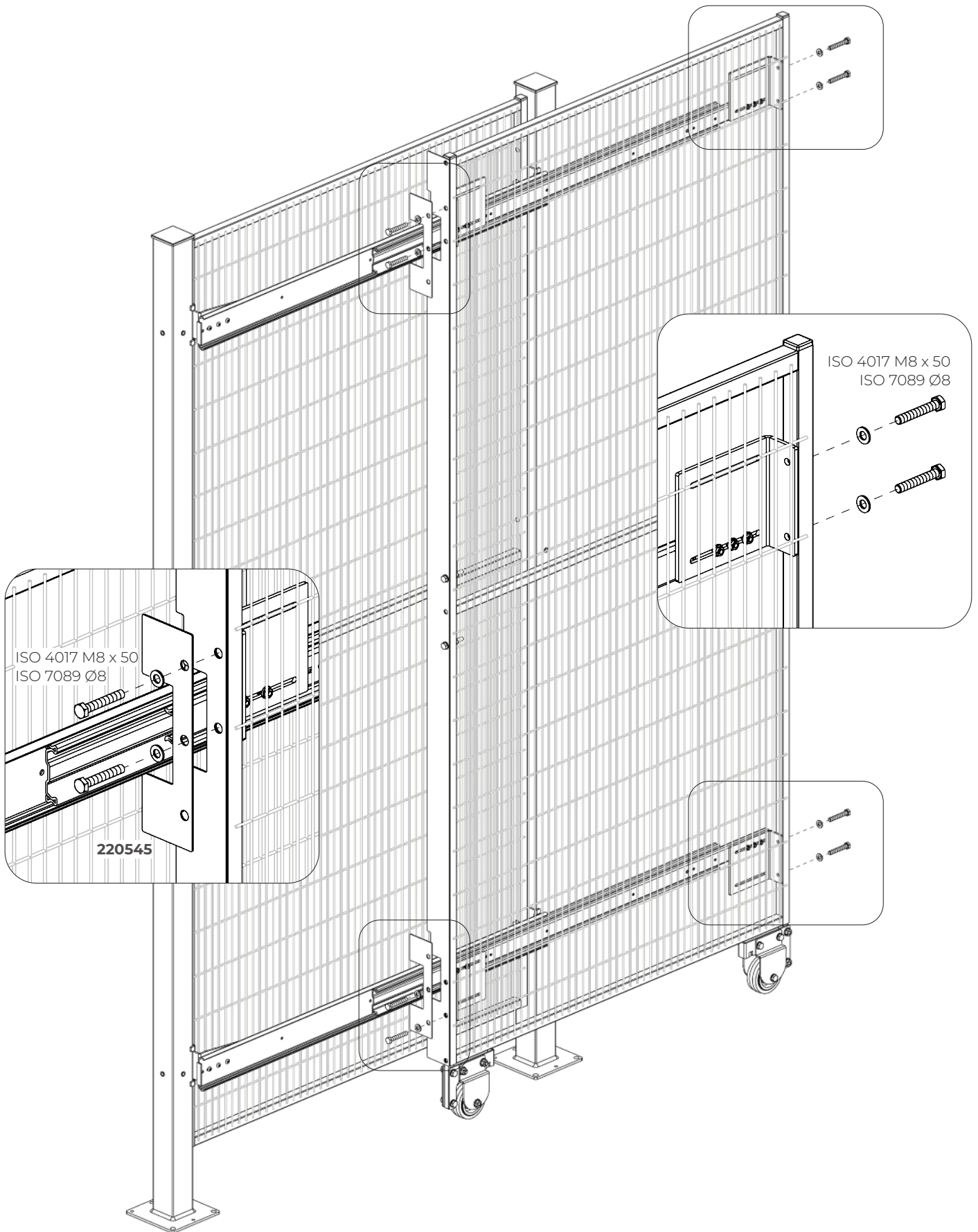
Opposed Open Passage TX Sliding Door

ASSEMBLY INSTRUCTIONS



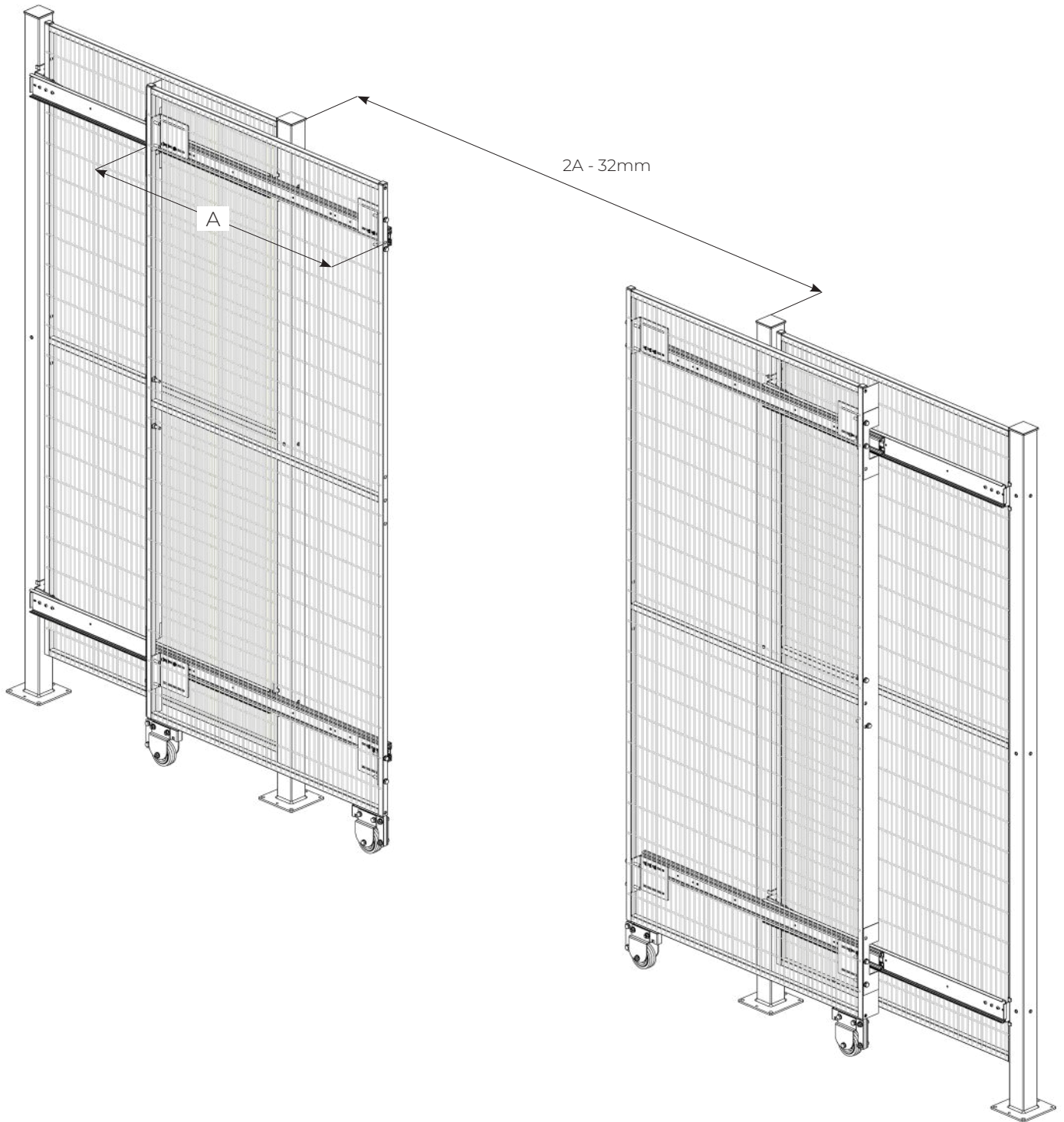
Opposed Open Passage TX Sliding Door

ASSEMBLY INSTRUCTIONS



Opposed Open Passage TX Sliding Door

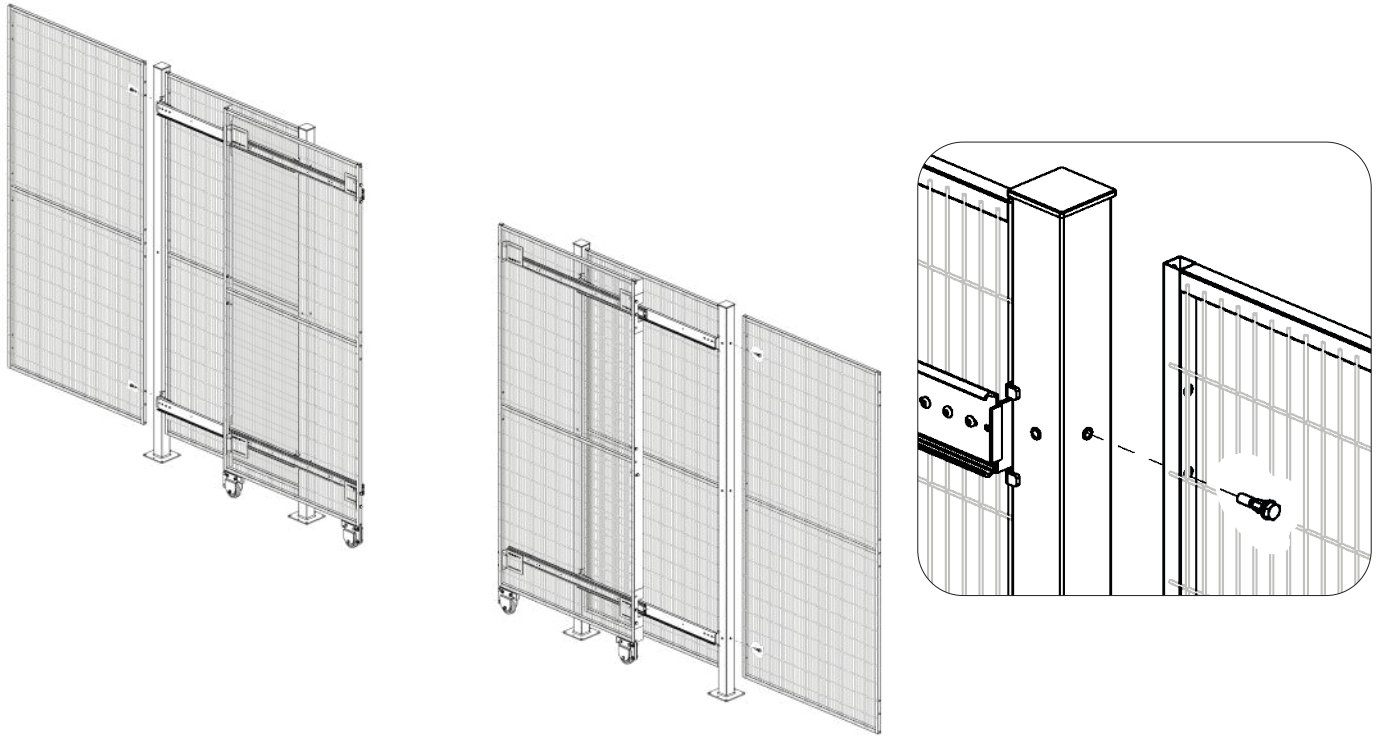
ASSEMBLY INSTRUCTIONS



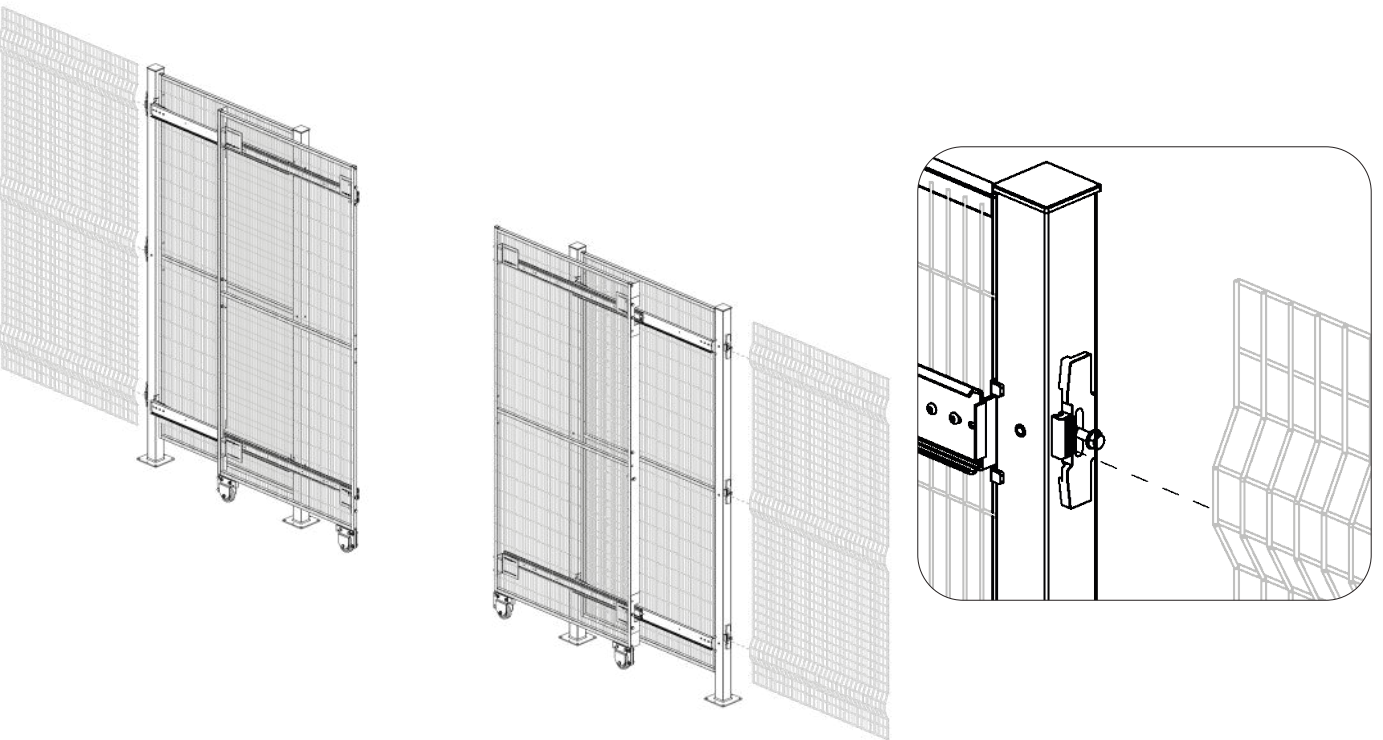
Opposed Open Passage TX Sliding Door

ASSEMBLY INSTRUCTIONS - LINEAR

ImpactGuard



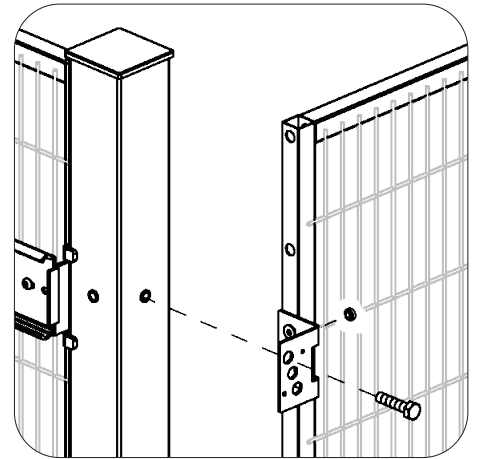
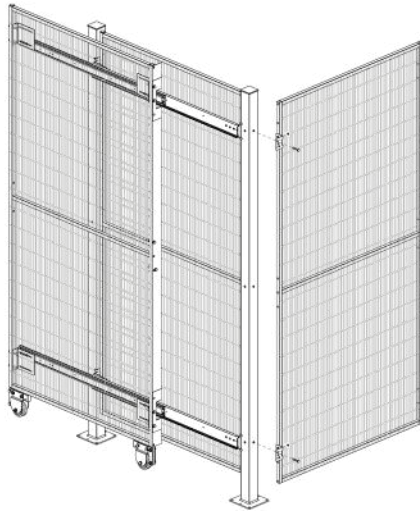
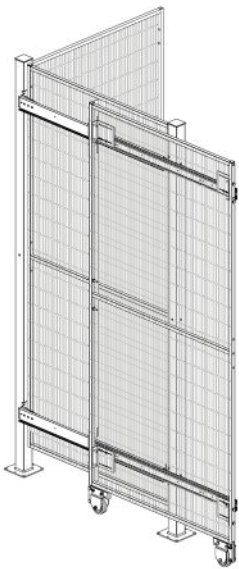
AdaptaGuard



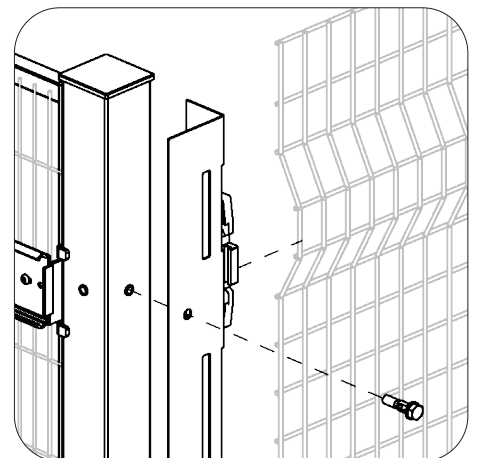
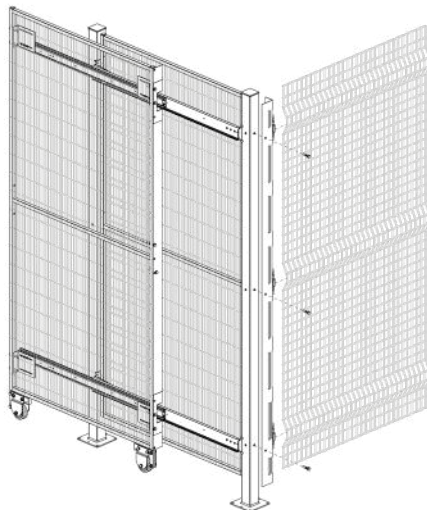
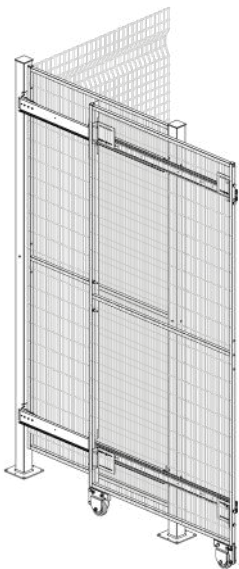
Opposed Open Passage TX Sliding Door

ASSEMBLY INSTRUCTIONS - ANGULAR

ImpactGuard



AdaptaGuard



Opposed Open Passage TX **Sliding Door**

ASSEMBLY INSTRUCTIONS - NOTES

A large grid of graph paper, consisting of 20 columns and 30 rows of small squares, intended for taking notes during the assembly process.

Modular Machine Guards that fit your needs.

Tailor-made solutions for the safety of operators and machinery



Protecting workers and machinery is paramount to create a safe and productive work environment. Satech Modular Machine Guards Systems, Doors and Accessories provide tailor-made solutions for any machinery layout need. **3 framed Systems, 2 frameless Systems and more than 150 Locks/Interlocks** ensure the maximum level of protection (PL) when accessing hazard areas for inspection or machinery maintenance.

Perimeter Protection Machine Safety Guards compliant with European and International Standards

Satech Machine Guards are manufactured in compliance with the **EN ISO 14120** standard, "General requirements for the design and construction of fixed and movable guards". They can be installed at a minimum distance of **120 mm from hazard** (as for EN ISO 13857), saving you plenty of layout space.

All Satech products are manufactured with **quality materials** and are highly durable. Mesh panels and other panel solutions can be easily and rapidly connected to posts (with captive retained fastenings, as for 2006/42/CE - Machinery Directive), which allows you to greatly **reduce assembly time**.

Founded in 2000, Satech was the first Italian Perimeter Guards Manufacturer. A **modern international company** today, in our 20+ years of work we have taken care of the safety of thousands of automated machinery systems and of millions of people worldwide. A **Safe Factory** is a **Productive One**.



Need help with this manual?

If you need additional specs, tips or manuals, please call our **Customer Service** at

+39 031 86230 85

SATECH
Modular Machine Guards

Satech Safety Technology SpA

Via Conte Taverna, 1
I-23892 Bulciago (LC)
Phone +39 031 86230 11



CERTIFIED
ISO 9001
ISO 14001
ISO 45001

