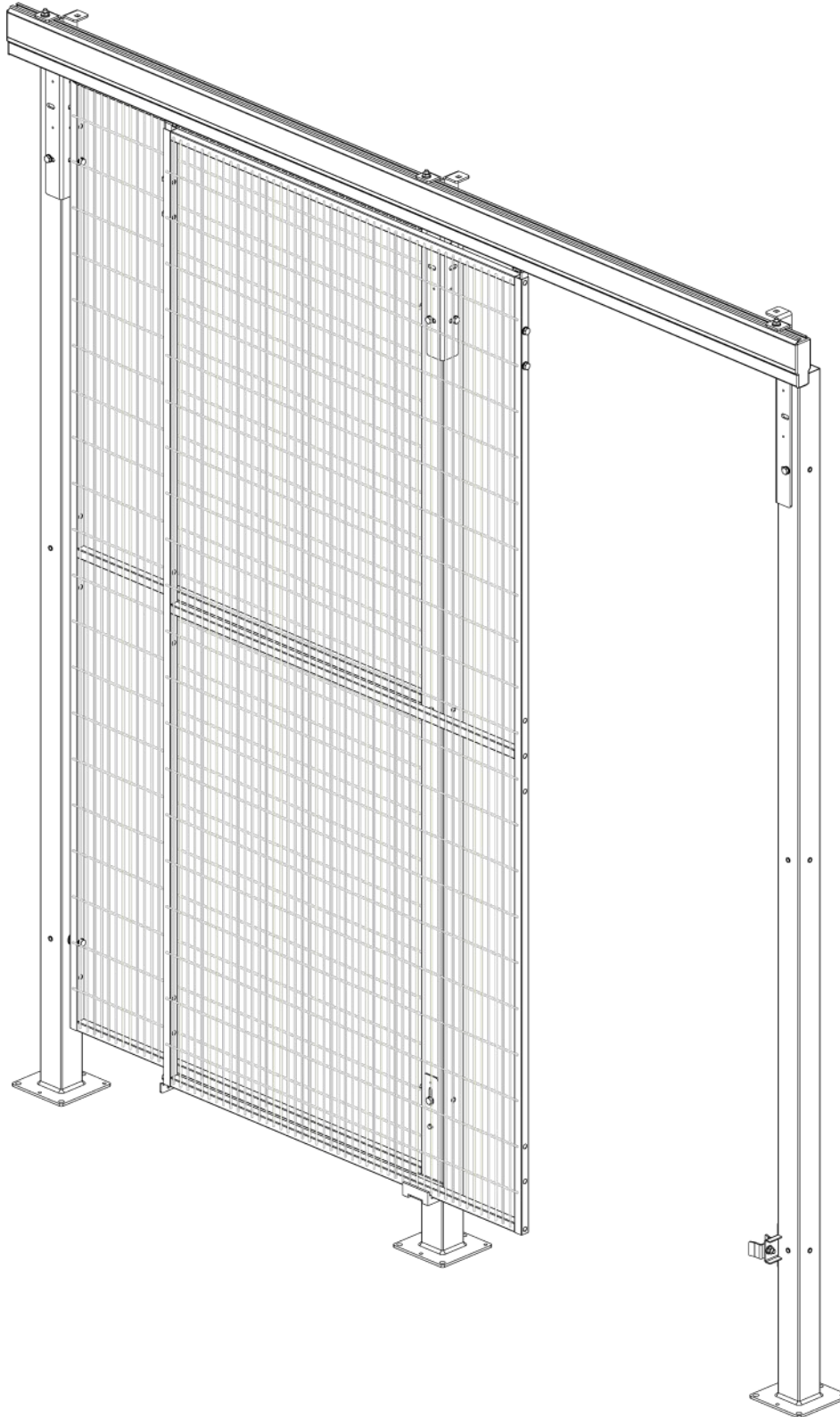


SINGLE

# Upper Guide Sliding Door

$W \leq 1500 \text{ mm}$  - ASSEMBLY INSTRUCTIONS

Door



# Single Upper Guide **Sliding Door**

W < = 1500 mm - ASSEMBLY INSTRUCTIONS

## 403000000000005

690036



x 1

00003882



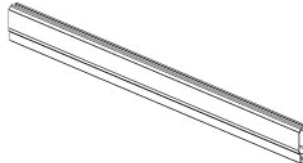
x 2

680016D



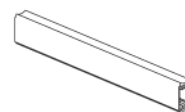
x 1

220519



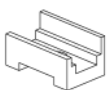
x 2

220521



x 1

220526A



x 1

220510B



x 3

220518A



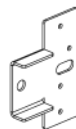
x 2

220527



x 1

220511A



x 1

00009821



x 1

36905160



x 2

## 460KCAROMGE X2

ISO 4017 M8 x 50



x 2

ISO 4017 M8 x 20



x 2

ISO 7089 Ø8



x 2

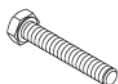
ISO 4161 M8



x 4

## 400100000000003

ISO 4017 M8 x 50



x 6

ISO 10642 M8 x 20



x 2

ISO 8678 M8 x 20



x 4

ISO 7380 M8 x 16



x 10

ISO 15480 Ø4.8 X 16



x 14

ISO 7089 Ø8



x 8

ISO 7093/2 Ø8



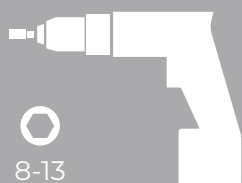
x 8

ISO 4161 M8



x 8

## Tools



8-13



13

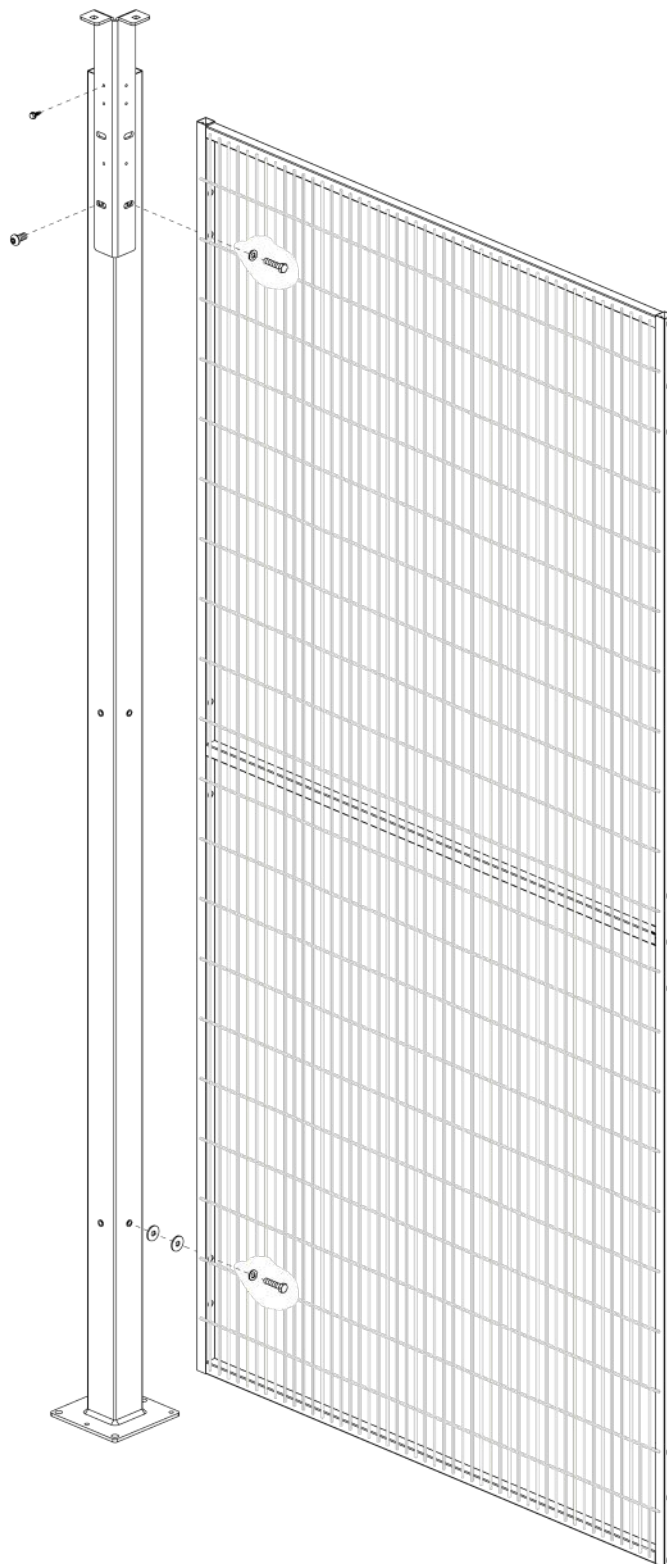
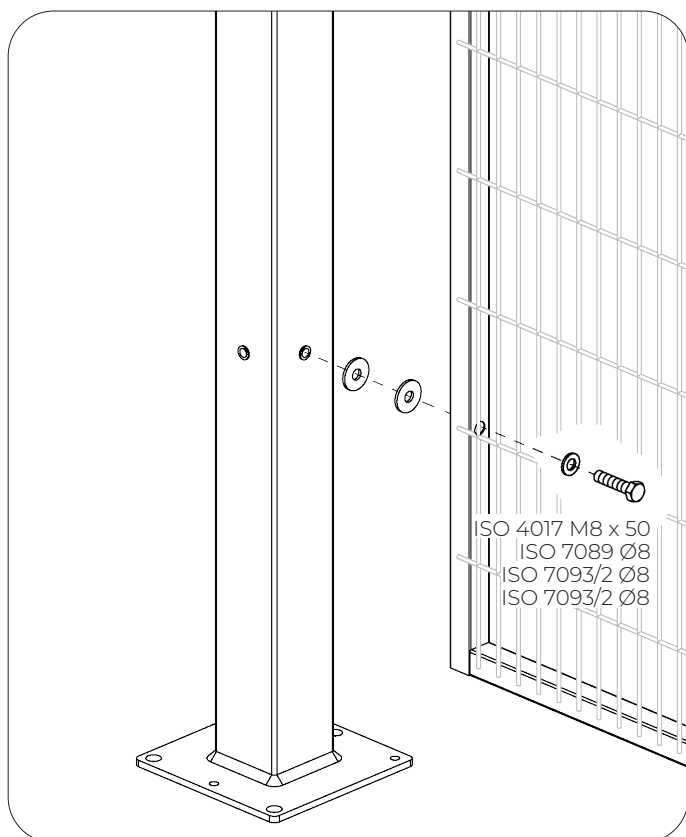
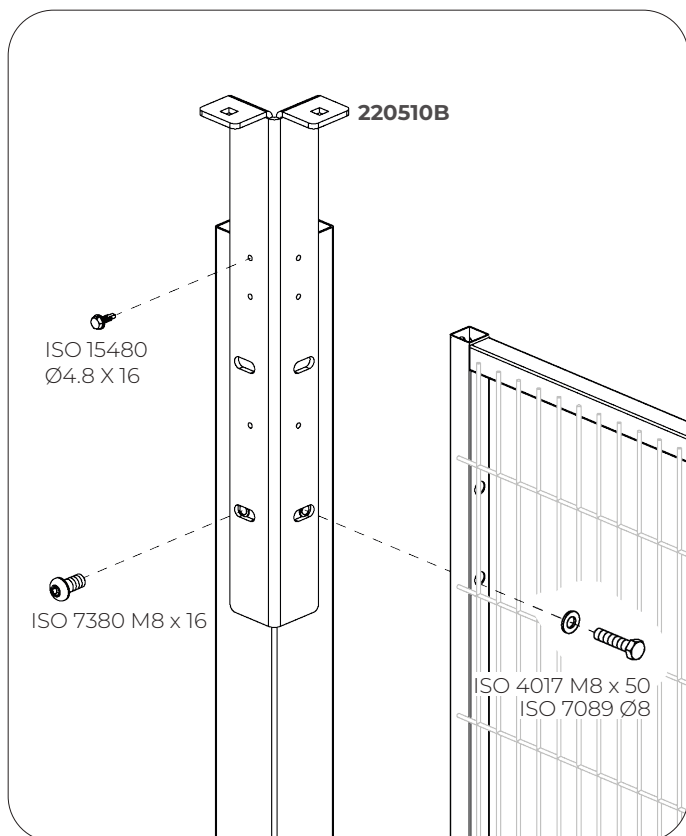


5



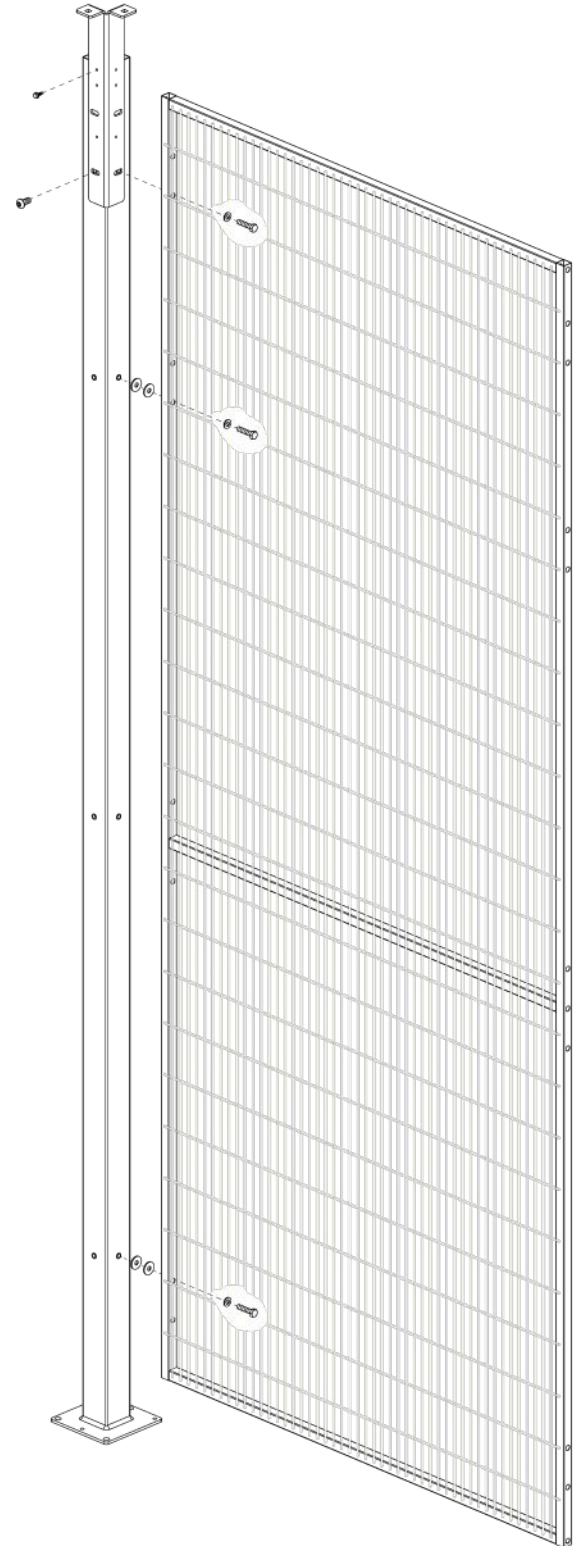
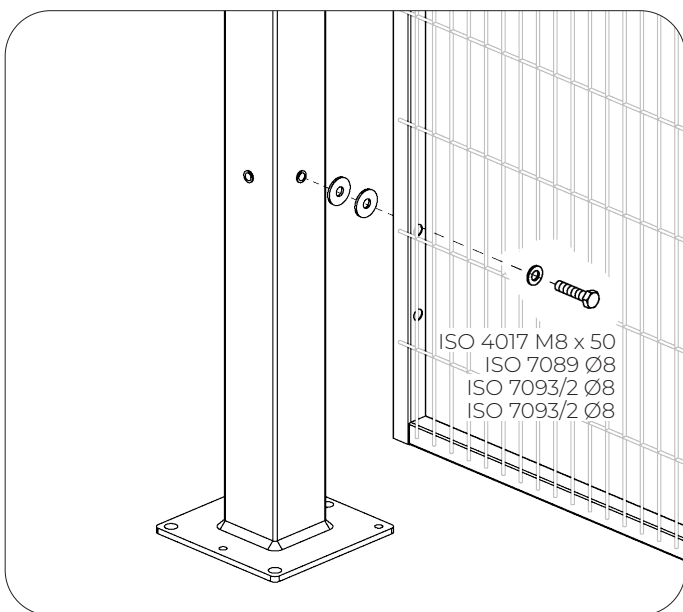
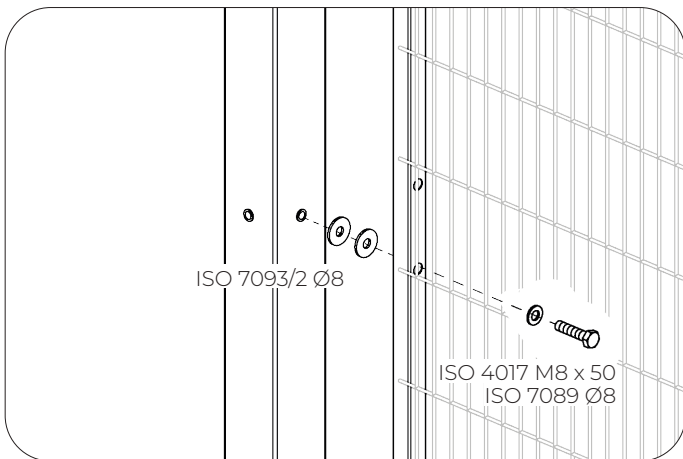
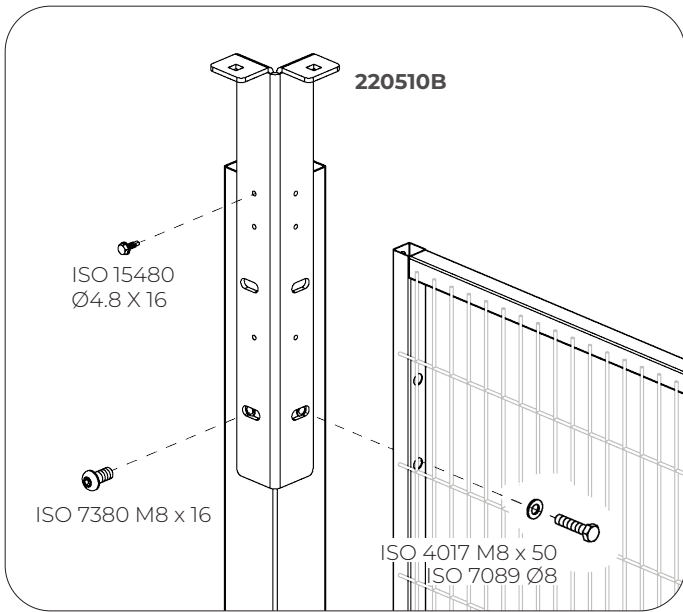
# Single Upper Guide **Sliding Door**

W <= 1500 mm - ASSEMBLY INSTRUCTIONS



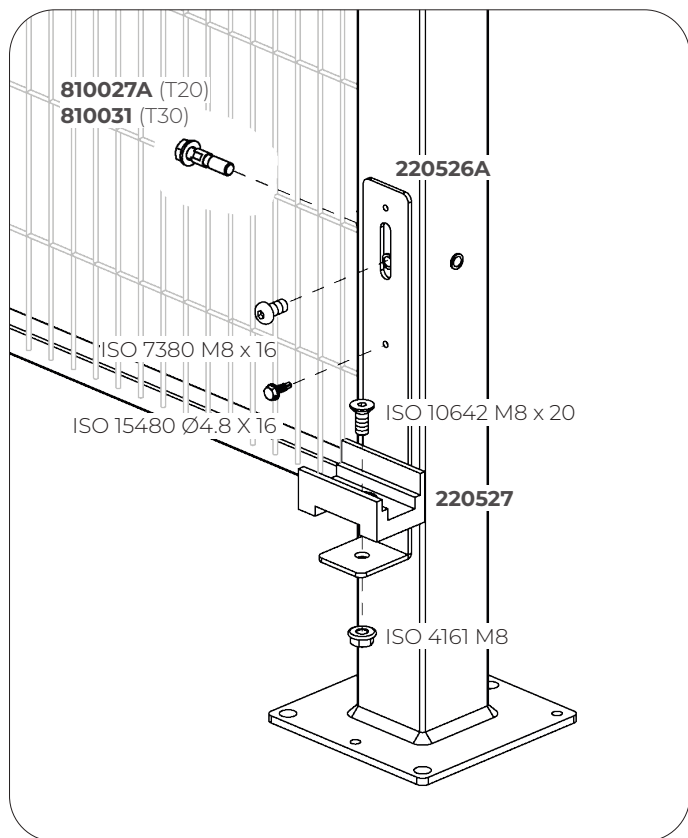
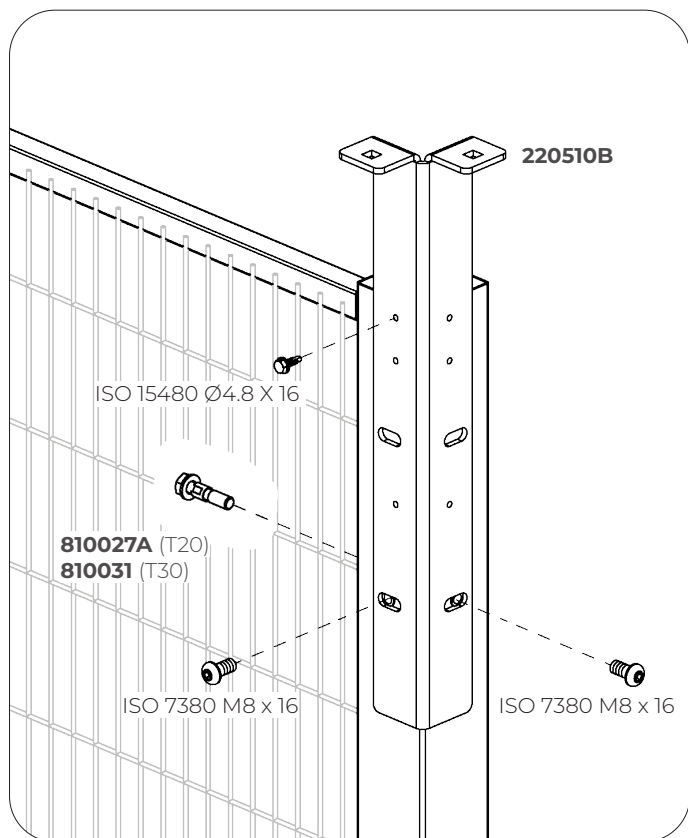
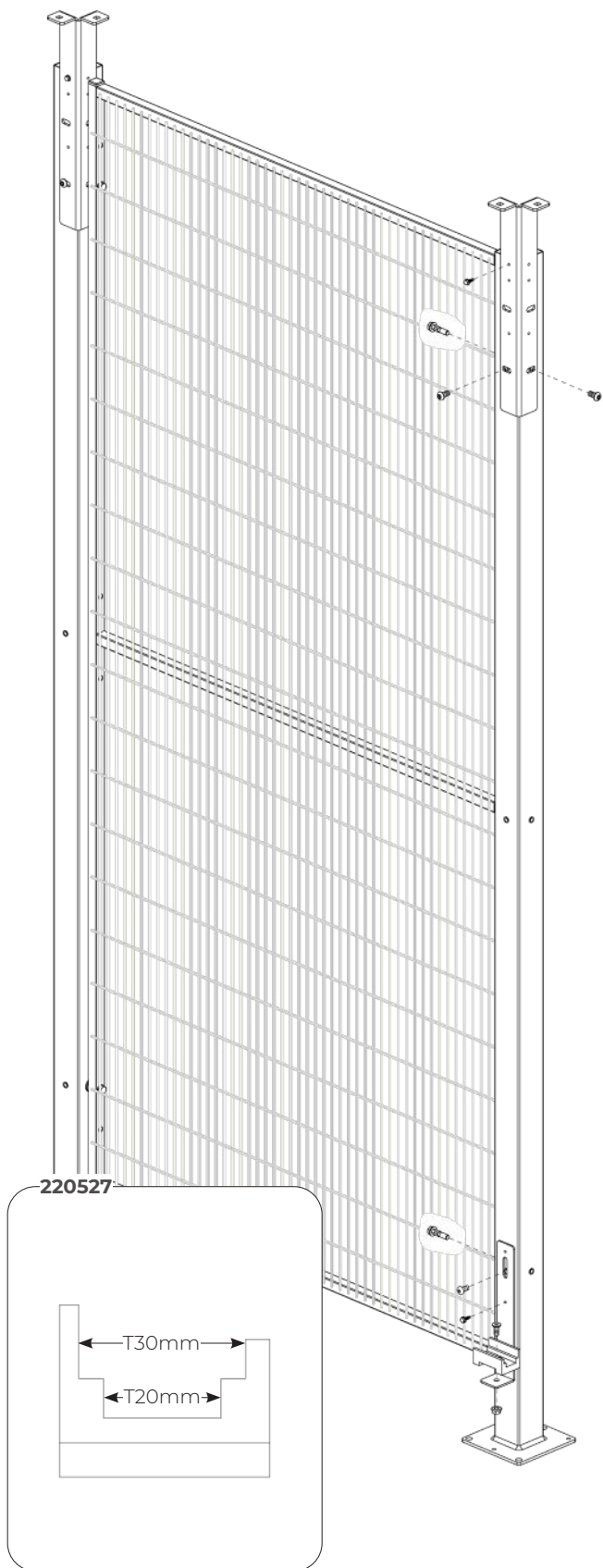
# Single Upper Guide **Sliding Door**

W < = 1500 mm - ASSEMBLY INSTRUCTIONS



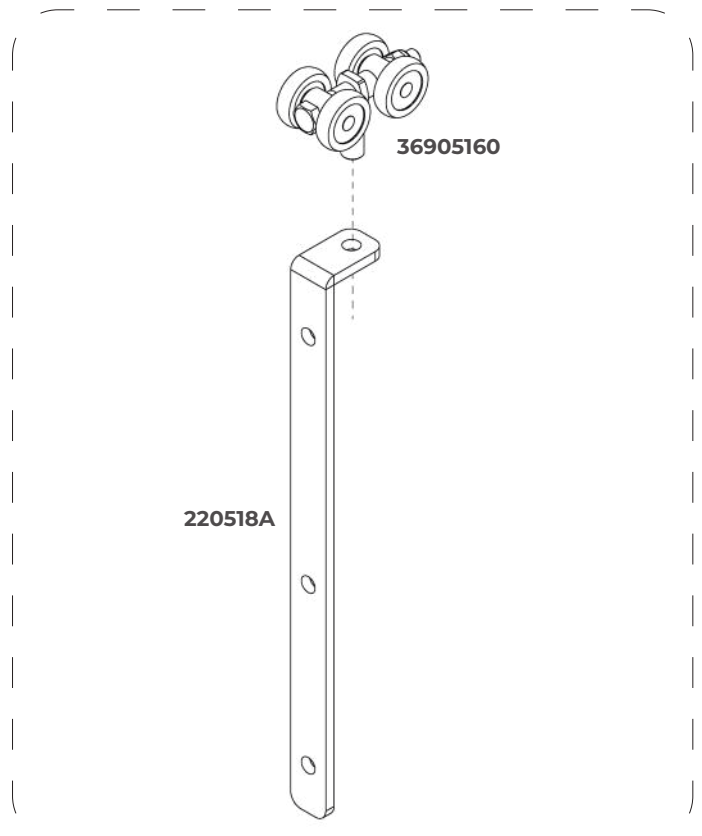
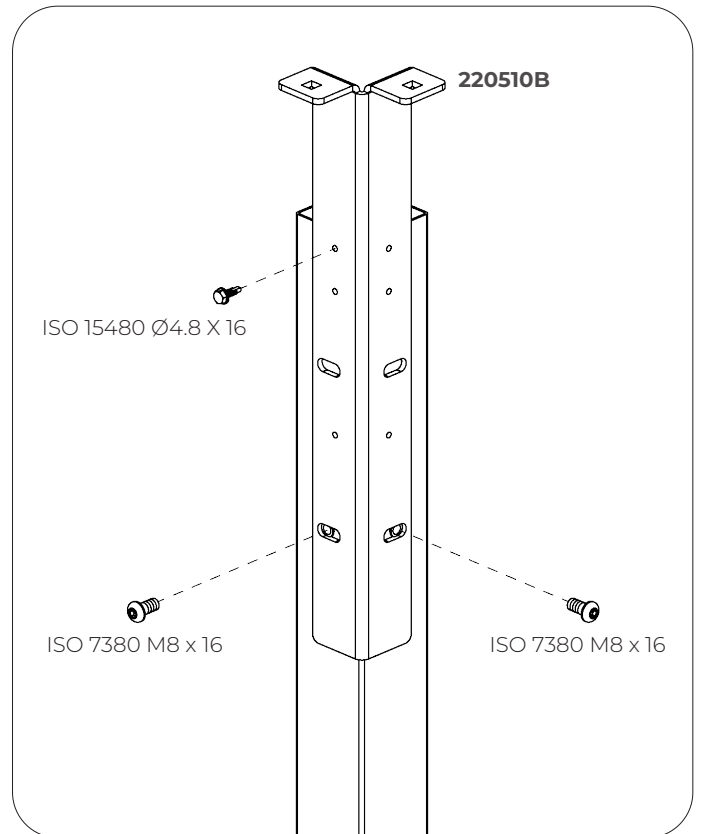
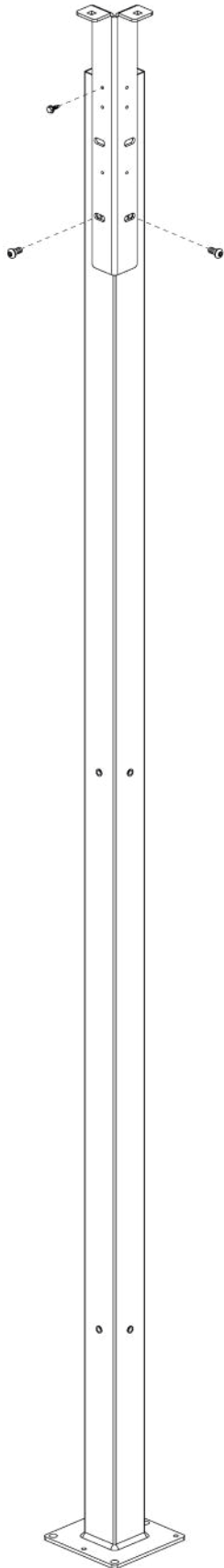
# Single Upper Guide **Sliding Door**

$W \leq 1500 \text{ mm}$  - ASSEMBLY INSTRUCTIONS



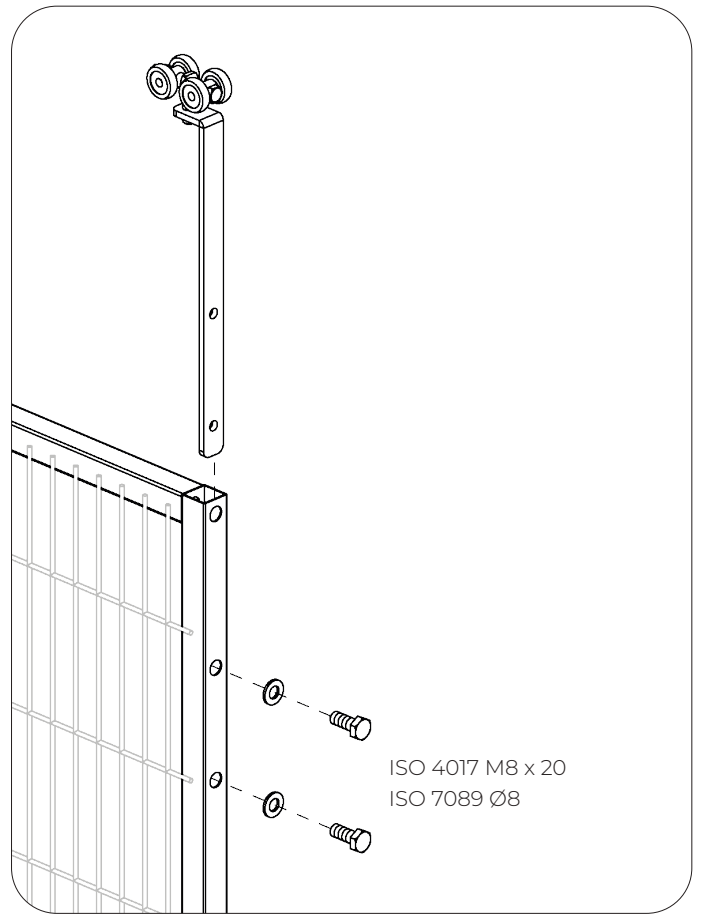
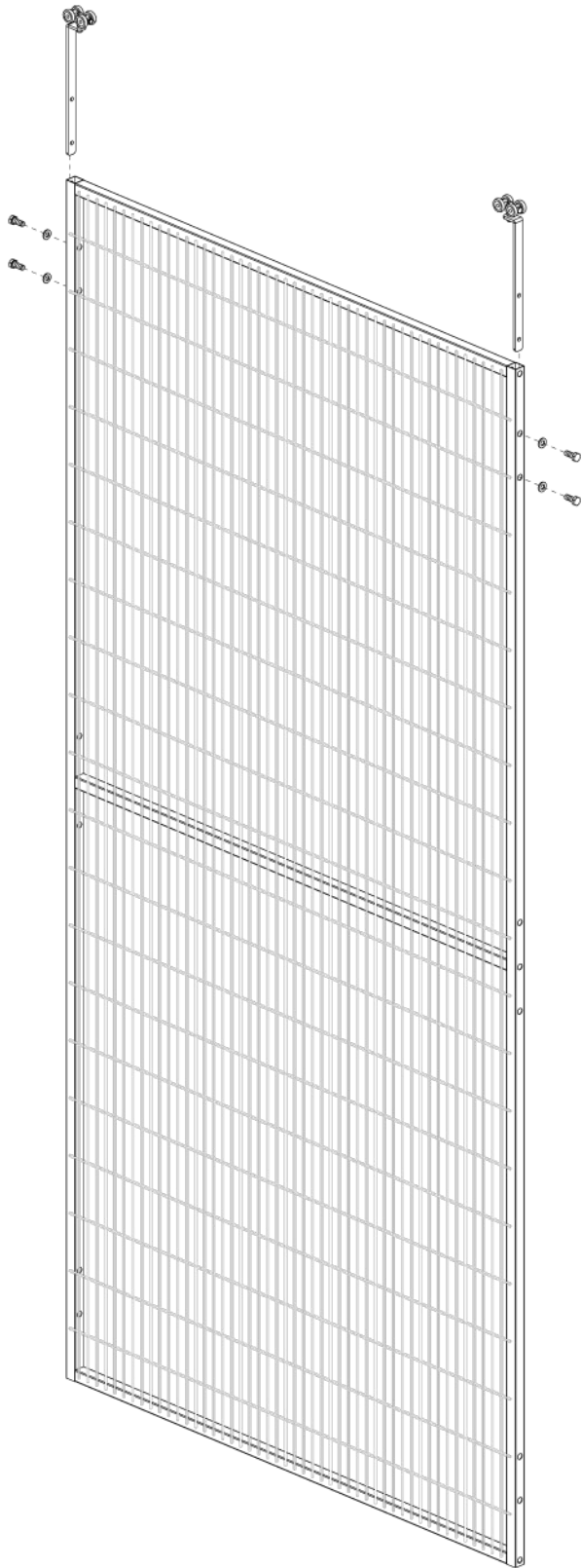
# Single Upper Guide **Sliding Door**

$W < = 1500 \text{ mm}$  - ASSEMBLY INSTRUCTIONS



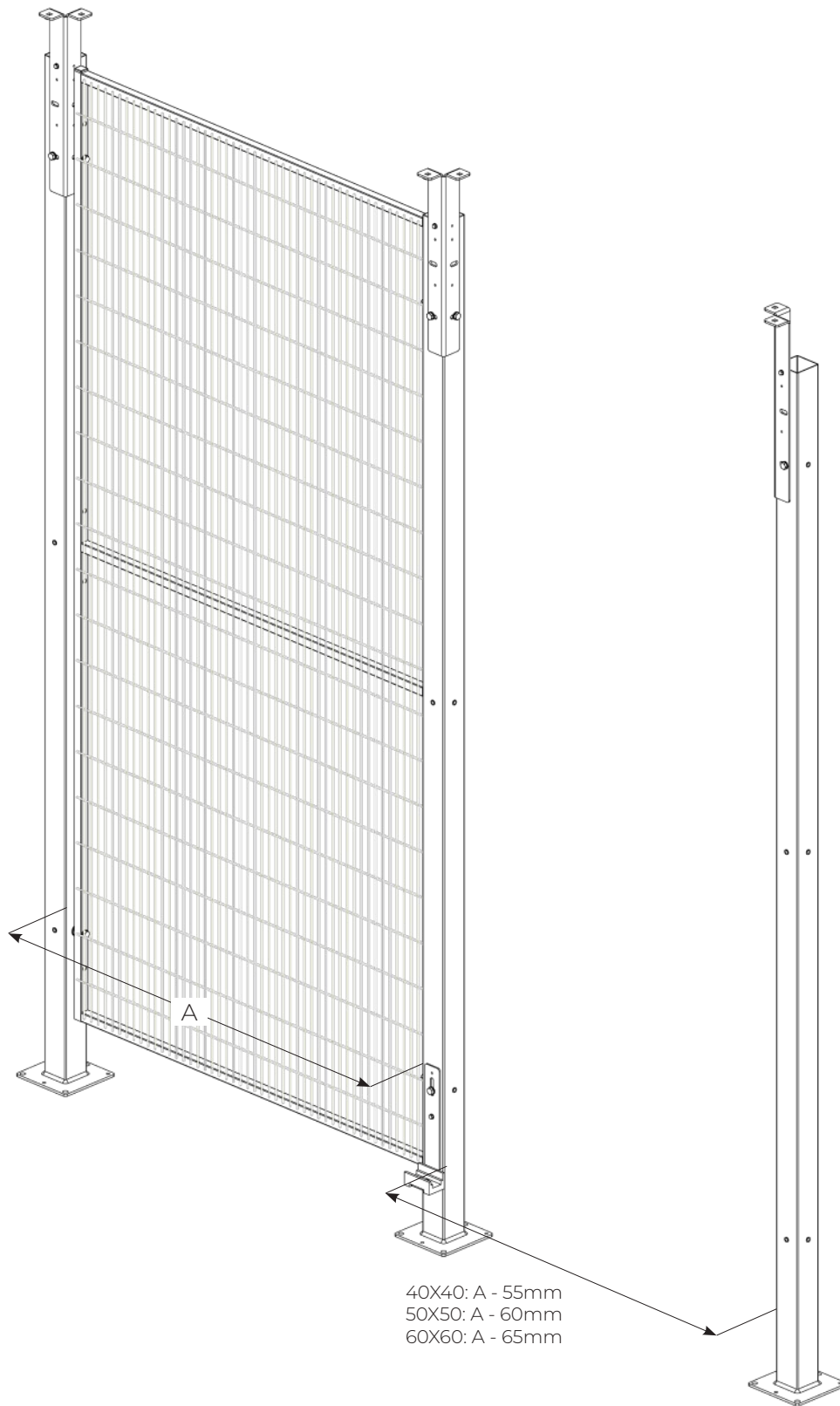
# Single Upper Guide **Sliding Door**

$W \leq 1500 \text{ mm}$  - ASSEMBLY INSTRUCTIONS



# Single Upper Guide **Sliding Door**

$W < = 1500 \text{ mm}$  - ASSEMBLY INSTRUCTIONS

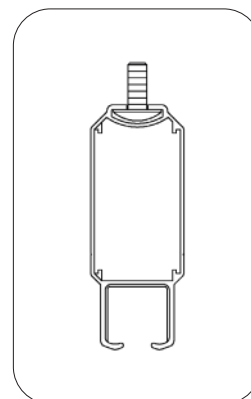
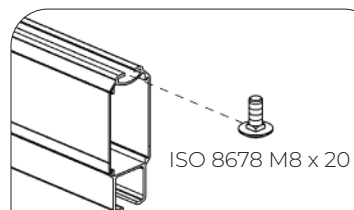
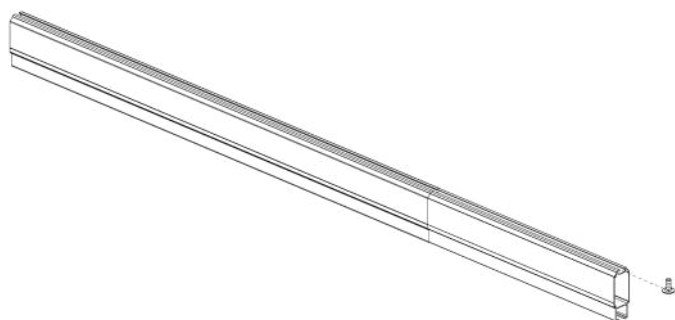
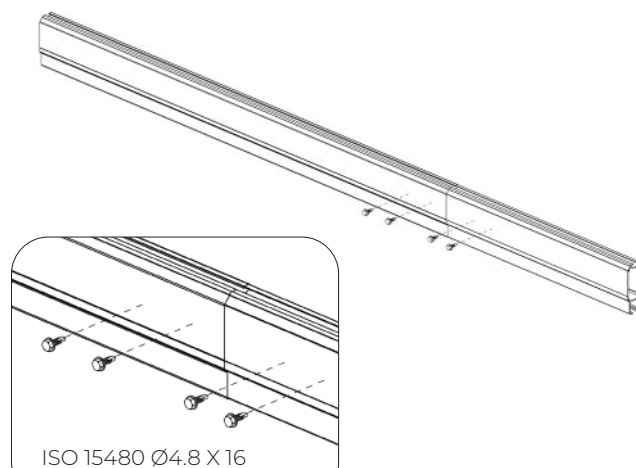
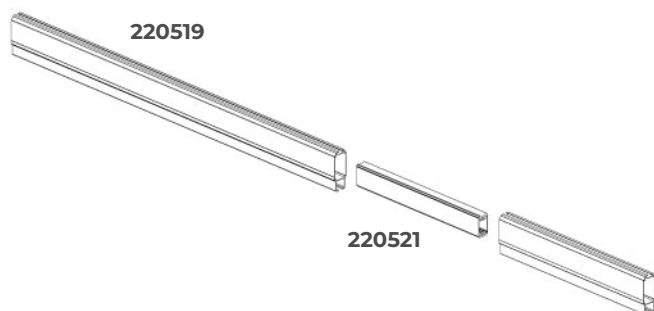
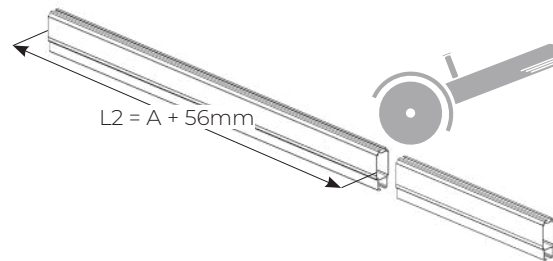
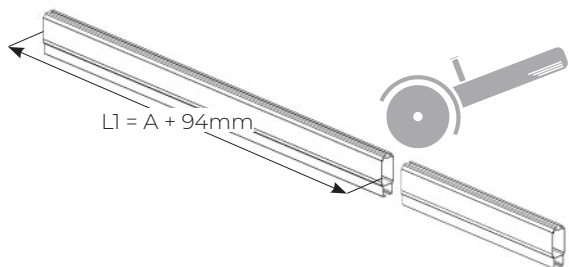




# Single Upper Guide **Sliding Door**

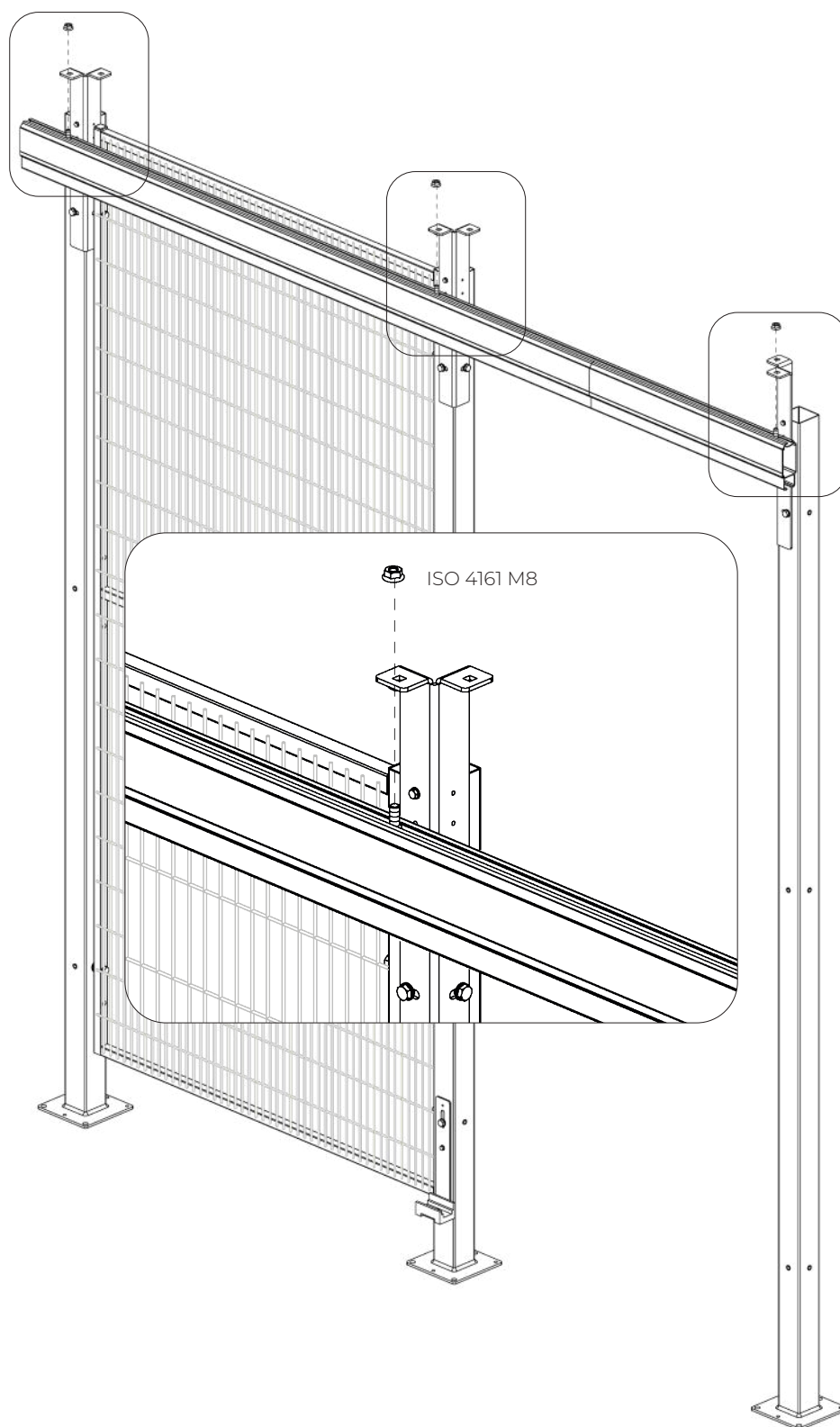
$W \leq 1500 \text{ mm}$  - ASSEMBLY INSTRUCTIONS

220519



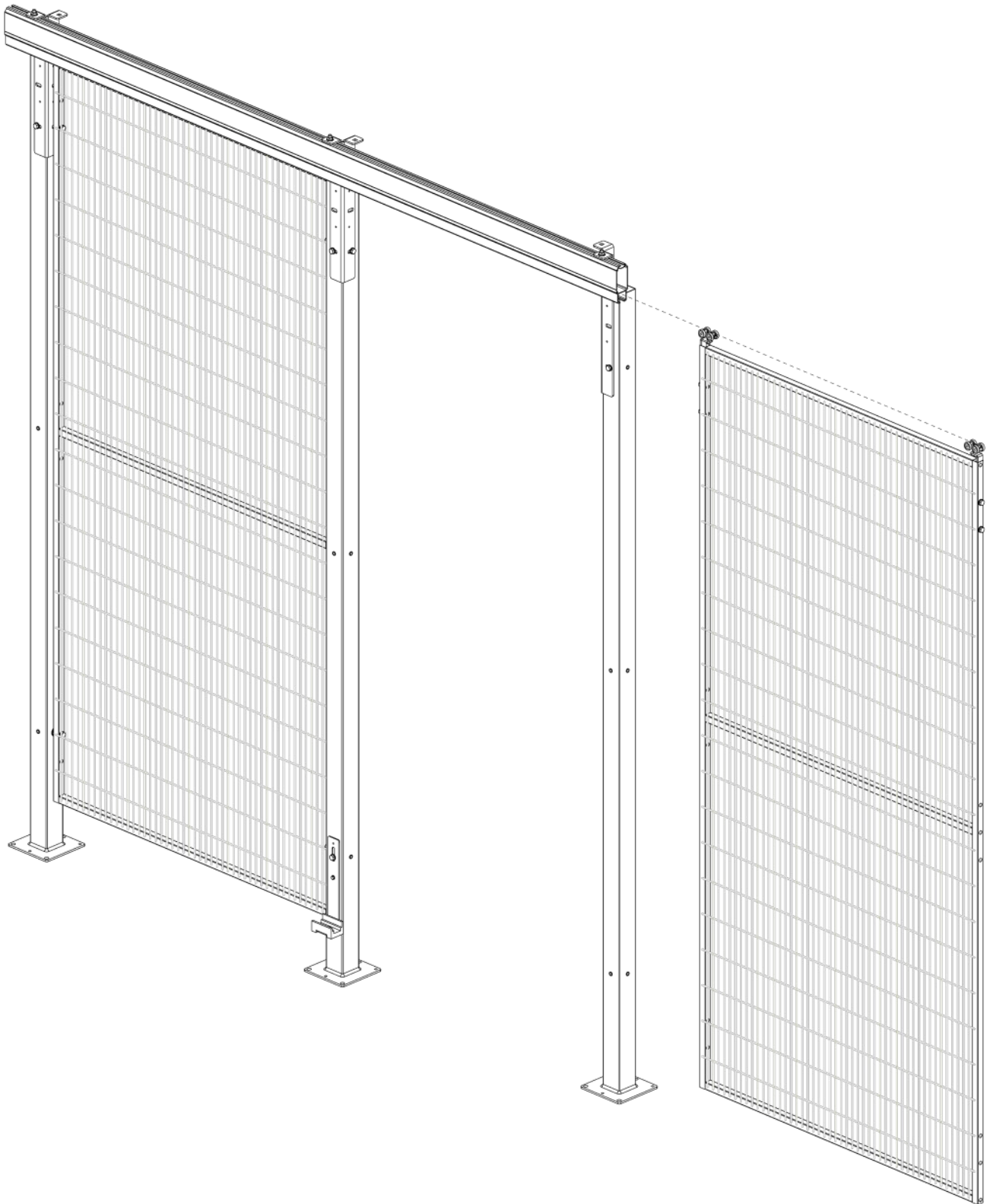
# Single Upper Guide **Sliding Door**

$W < = 1500 \text{ mm}$  - ASSEMBLY INSTRUCTIONS



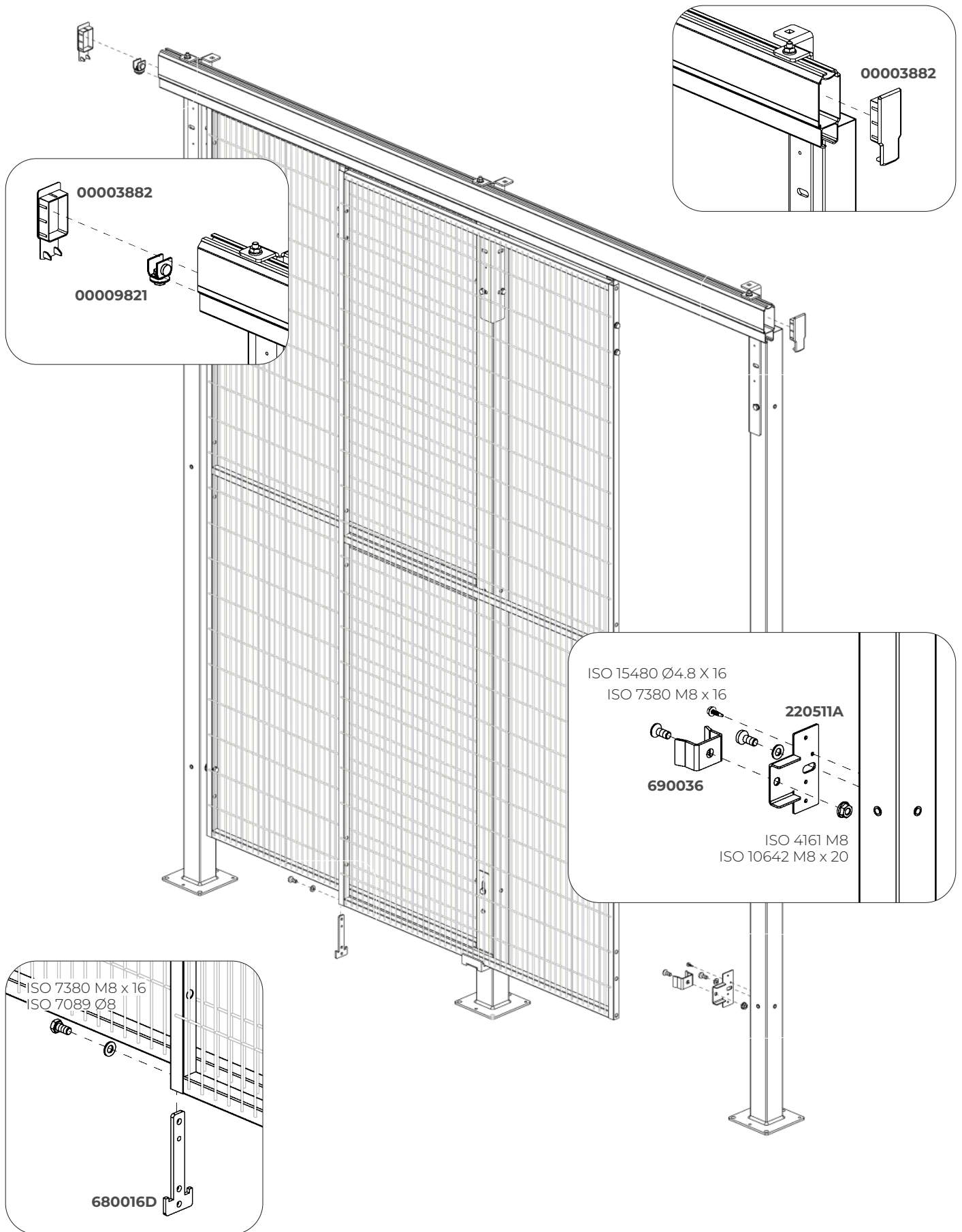
# Single Upper Guide **Sliding Door**

$W \leq 1500 \text{ mm}$  - ASSEMBLY INSTRUCTIONS



# Single Upper Guide **Sliding Door**

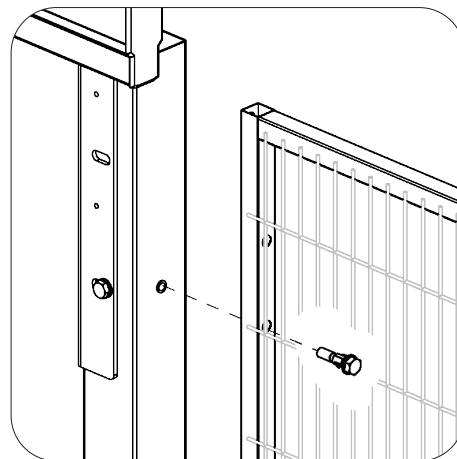
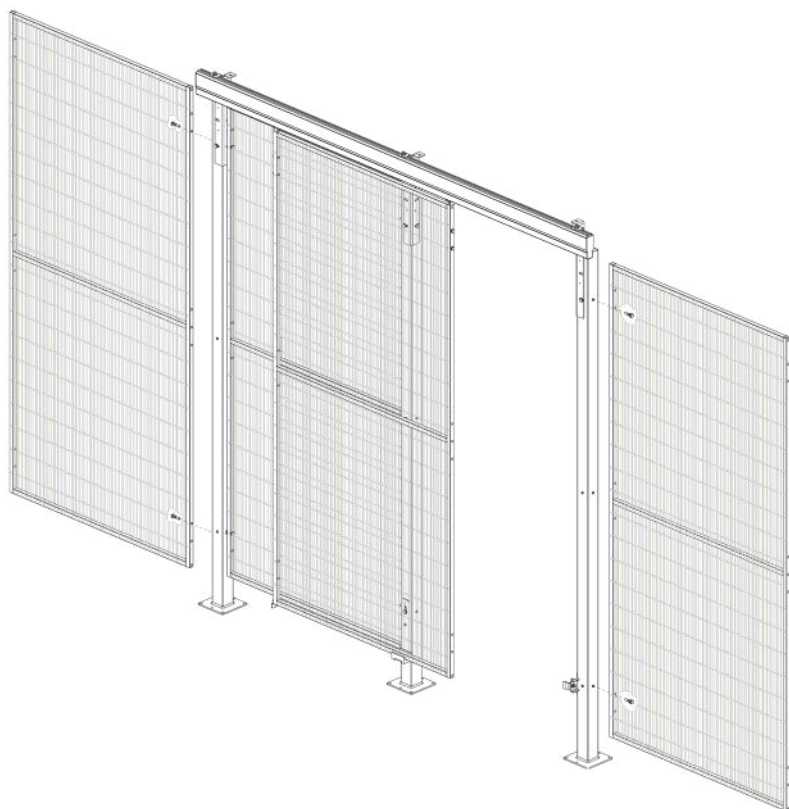
W < = 1500 mm - ASSEMBLY INSTRUCTIONS



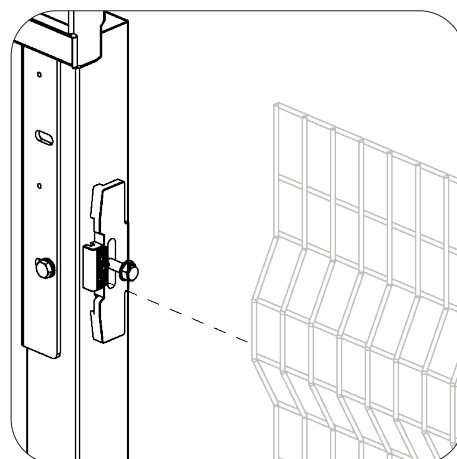
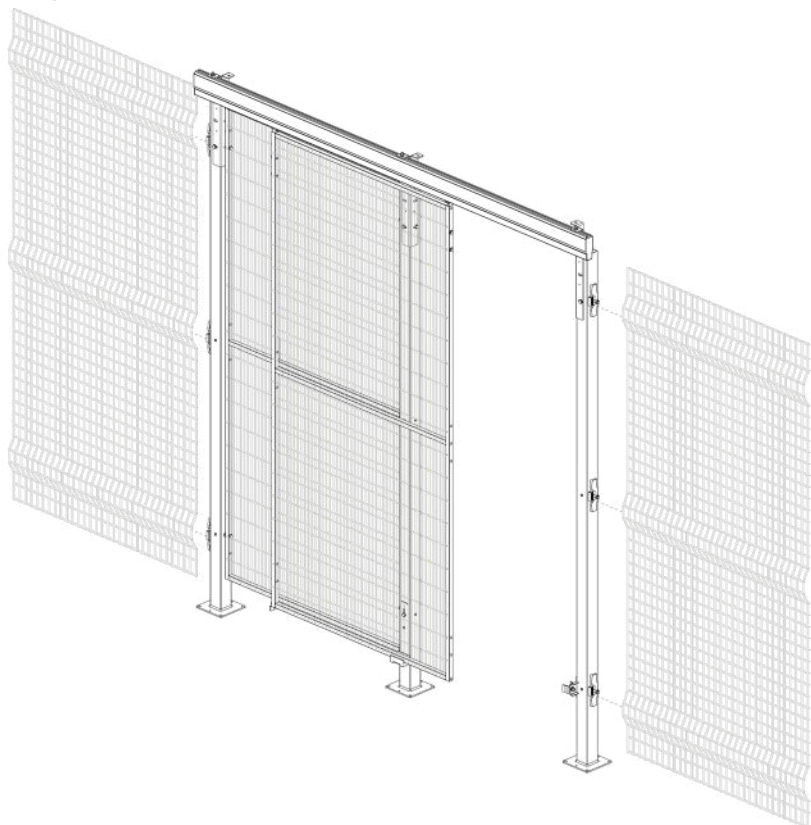
# Single Upper Guide **Sliding Door**

$W \leq 1500 \text{ mm}$  - ASSEMBLY INSTRUCTIONS - LINEAR

## ImpactGuard



## AdaptaGuard

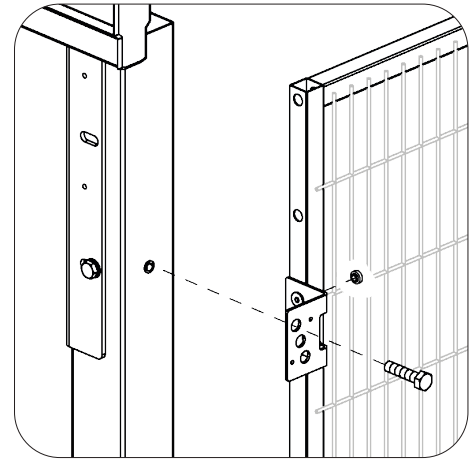
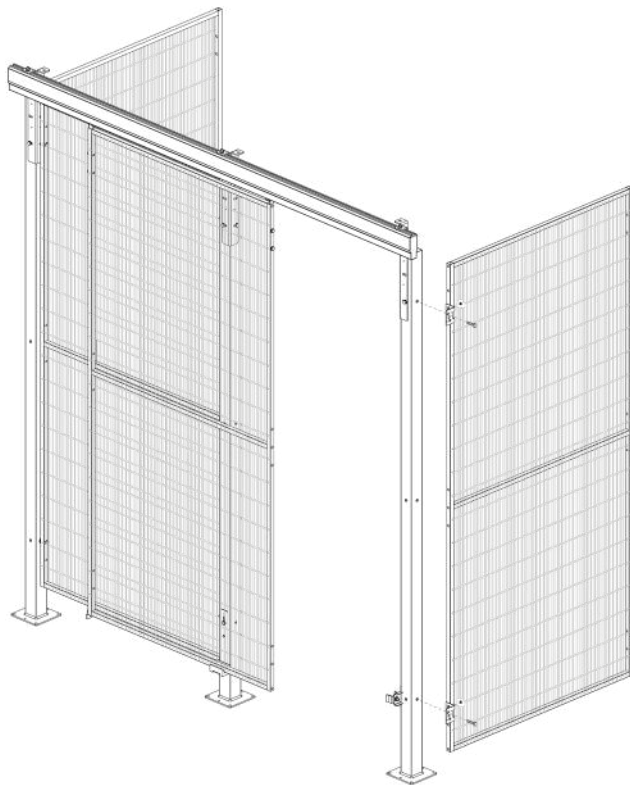




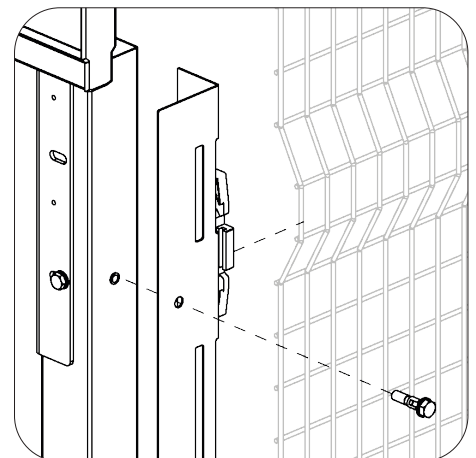
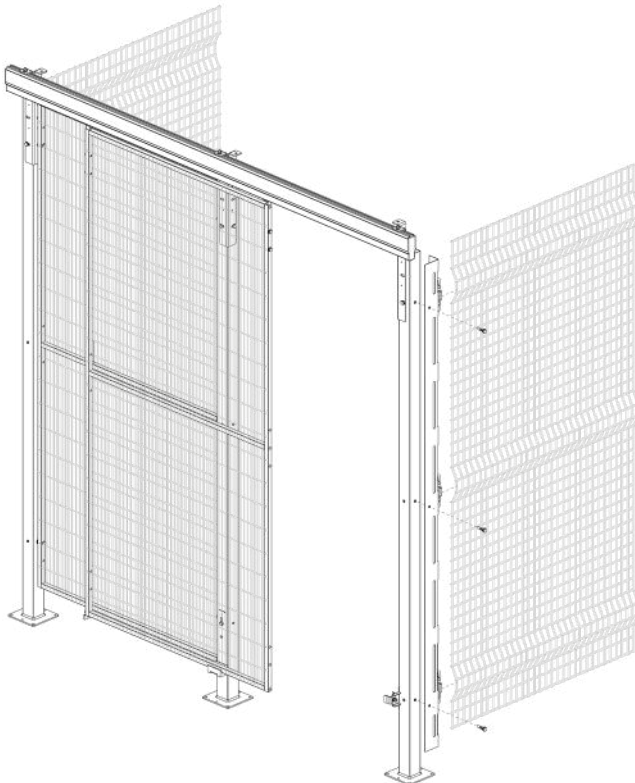
# Single Upper Guide **Sliding Door**

$W < = 1500 \text{ mm}$  - ASSEMBLY INSTRUCTIONS - ANGULAR

## ImpactGuard

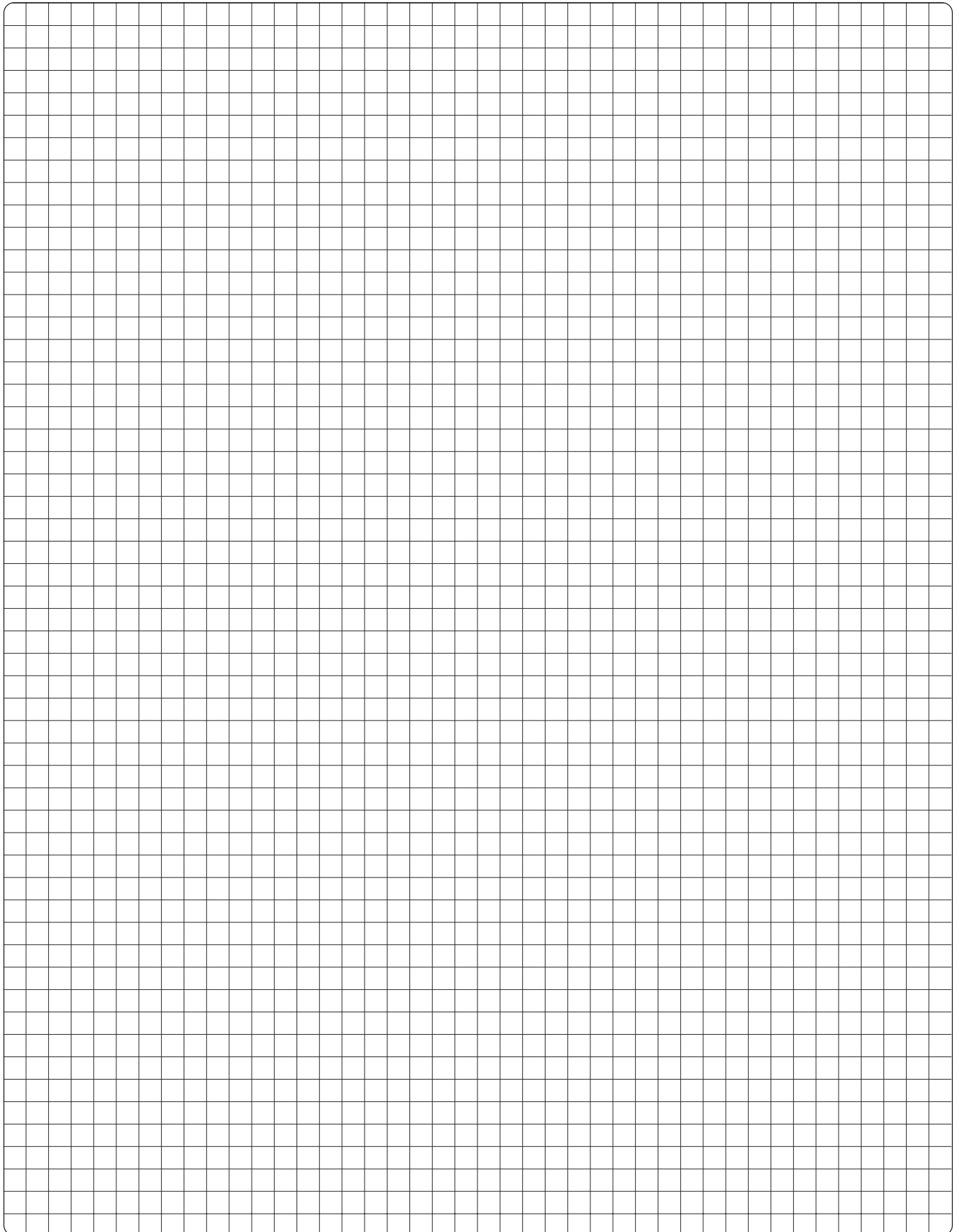


## AdaptaGuard



# Single Upper Guide **Sliding Door**

*W < = 1500 mm - ASSEMBLY INSTRUCTIONS - NOTES*



# Modular Machine Guards that fit your needs.

Tailor-made solutions for the safety of operators and machinery



Protecting workers and machinery is paramount to create a safe and productive work environment. Satech Modular Machine Guards Systems, Doors and Accessories provide tailor-made solutions for any machinery layout need. **3 framed Systems, 2 frameless Systems** and **more than 150 Locks/Interlocks** ensure the maximum level of protection (PL) when accessing hazard areas for inspection or machinery maintenance.

## Perimeter Protection Machine Safety Guards compliant with European and International Standards

Satech Machine Guards are manufactured in compliance with the **EN ISO 14120** standard, "General requirements for the design and construction of fixed and movable guards". They can be installed at a minimum distance of **120 mm from hazard** (as for EN ISO 13857), saving you plenty of layout space.

All Satech products are manufactured with **quality materials** and are highly durable. Mesh panels and other panel solutions can be easily and rapidly connected to posts (with captive retained fastenings, as for 2006/42/CE - Machinery Directive), which allows you to greatly **reduce assembly time**.

Founded in 2000, Satech was the first Italian Perimeter Guards Manufacturer. A **modern international company** today, in our 20+ years of work we have taken care of the safety of thousands of automated machinery systems and of millions of people worldwide. A **Safe Factory** is a **Productive One**.



## Need help with this manual?

If you need additional specs, tips or manuals, please call our **Customer Service** at

**+39 031 86230 85**

**SATECH**  
Modular Machine Guards

Satech Safety Technology SpA

Via Conte Taverna, 1  
I-23892 Bulciago (LC)  
Phone +39 031 86230 11



**CERTIFIED**  
**ISO 9001**  
**ISO 14001**  
**ISO 45001**

