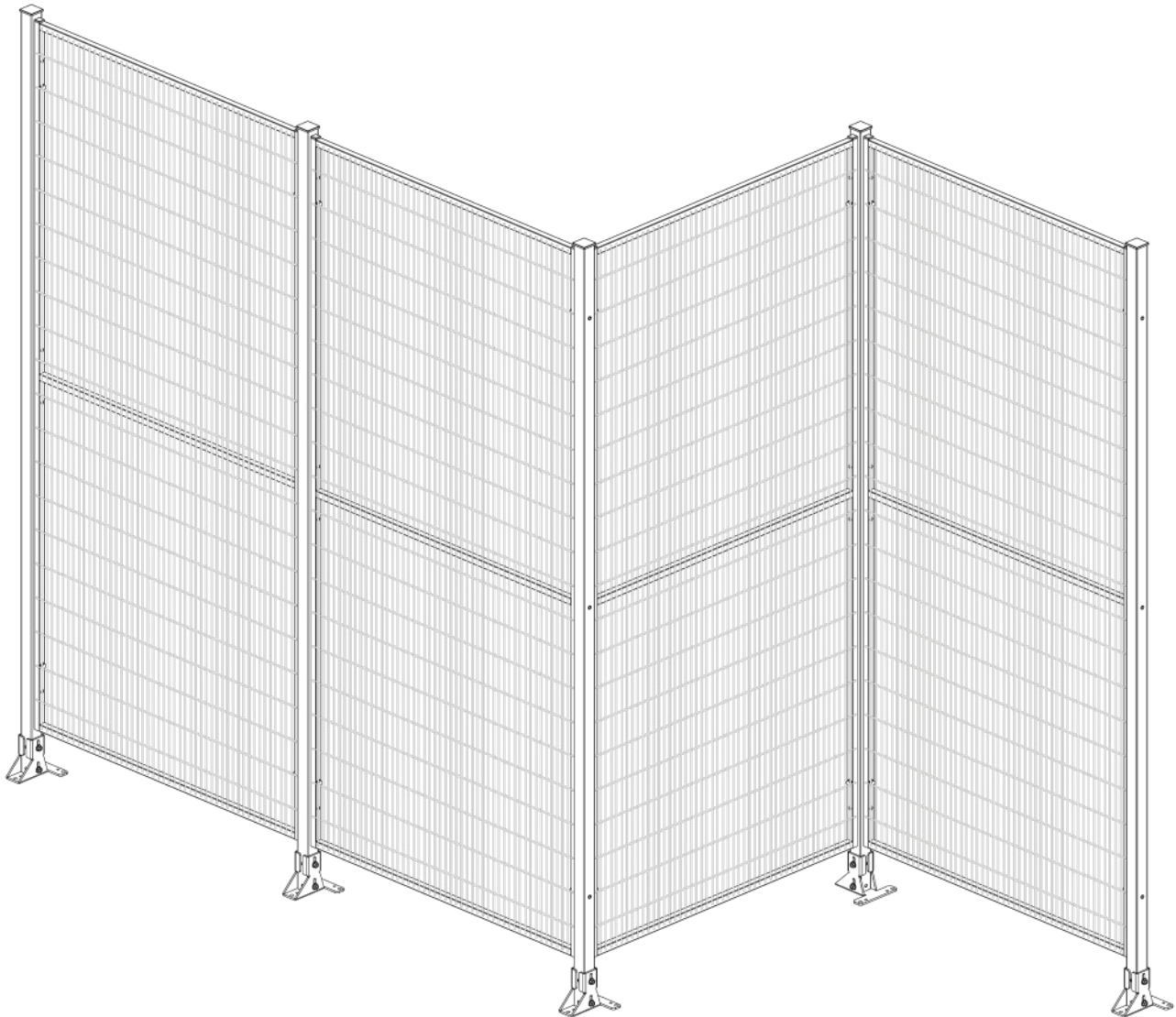
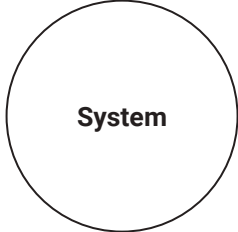


ImpactGuard

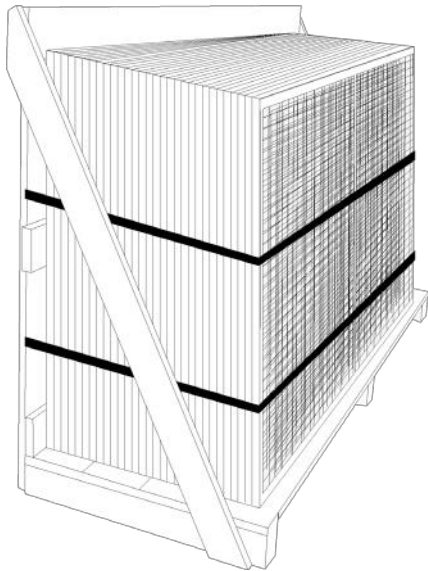
ASSEMBLY INSTRUCTIONS



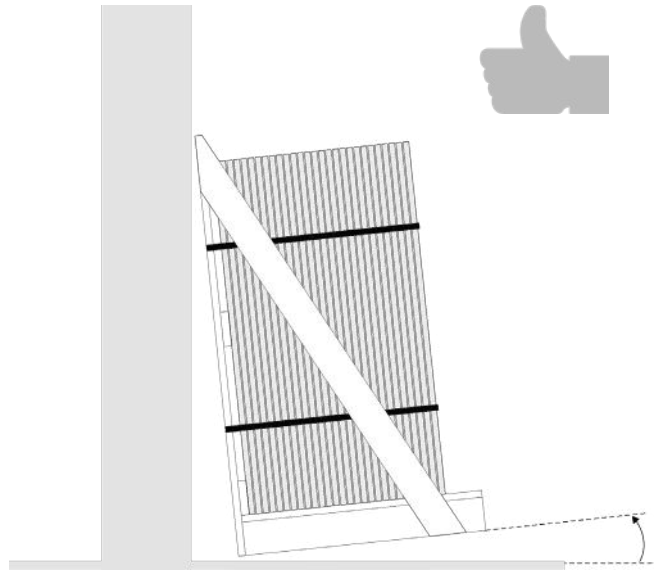
ImpactGuard

SAFE START

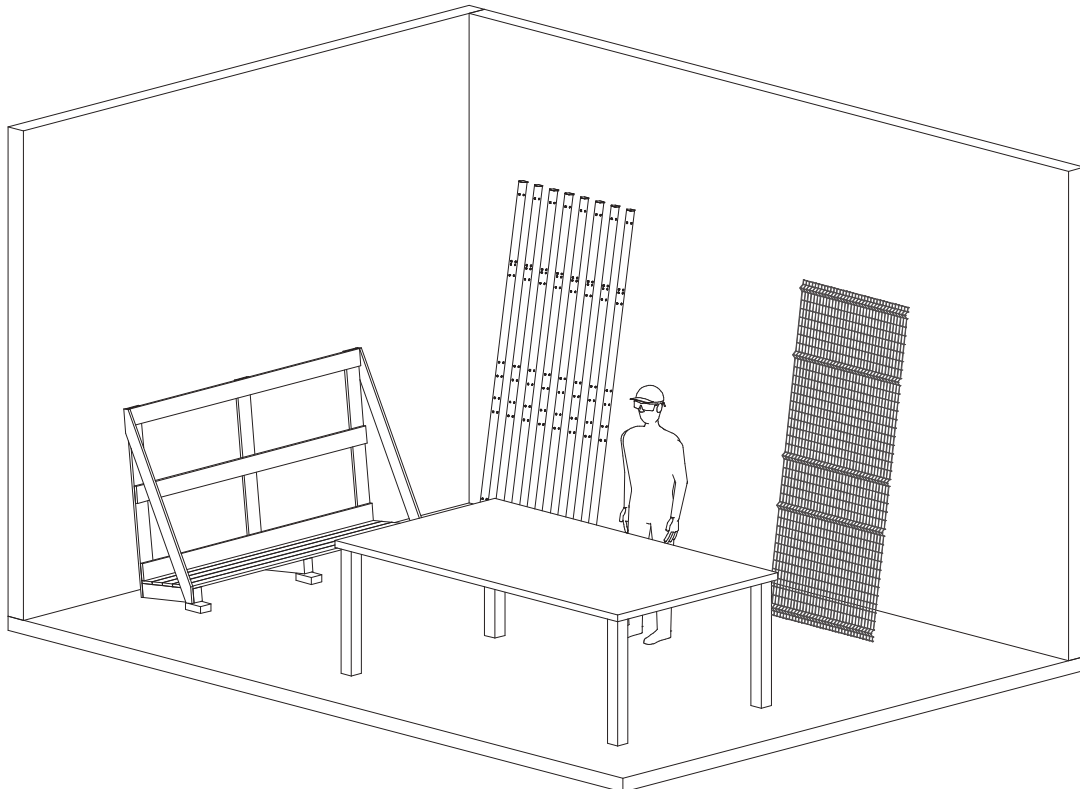
1



2

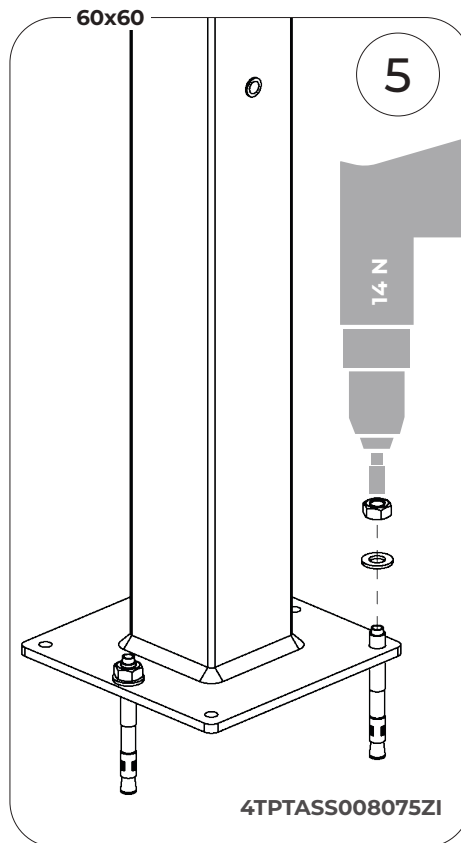
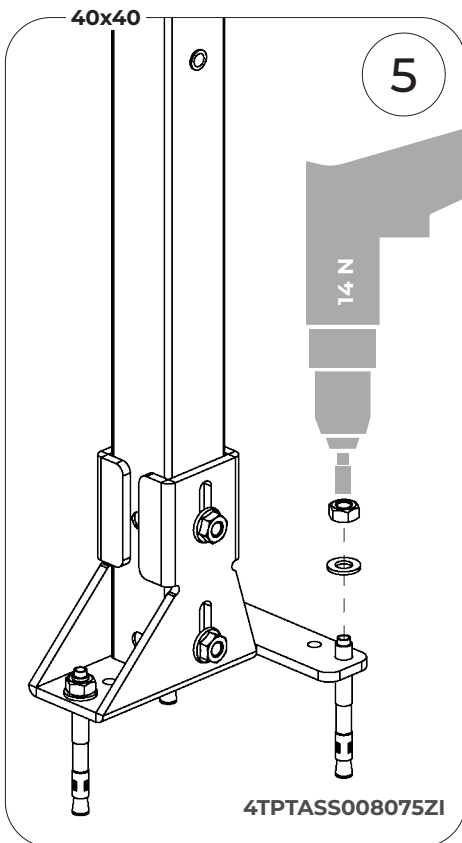
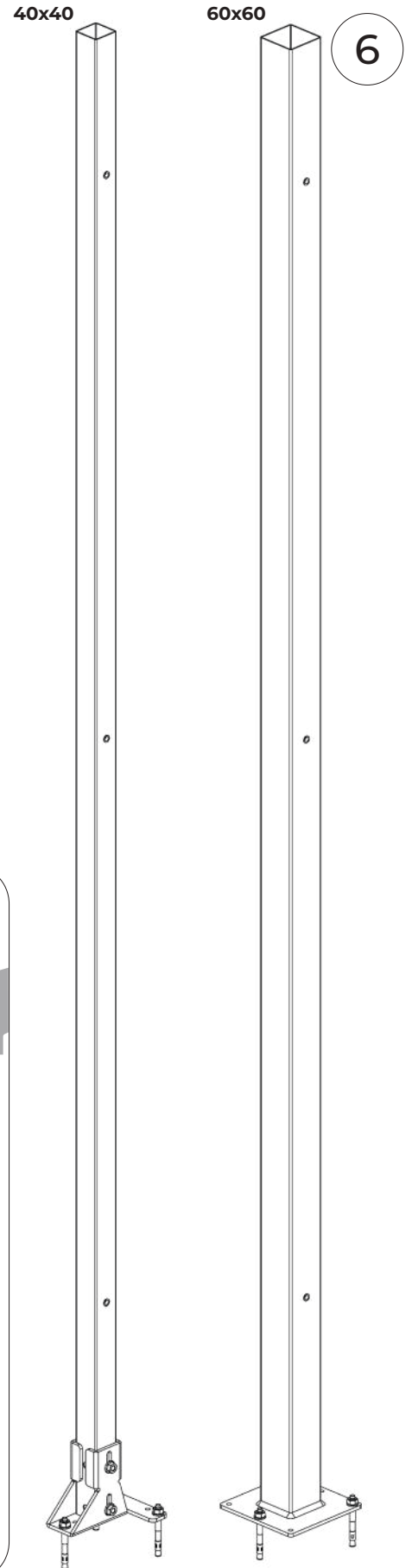
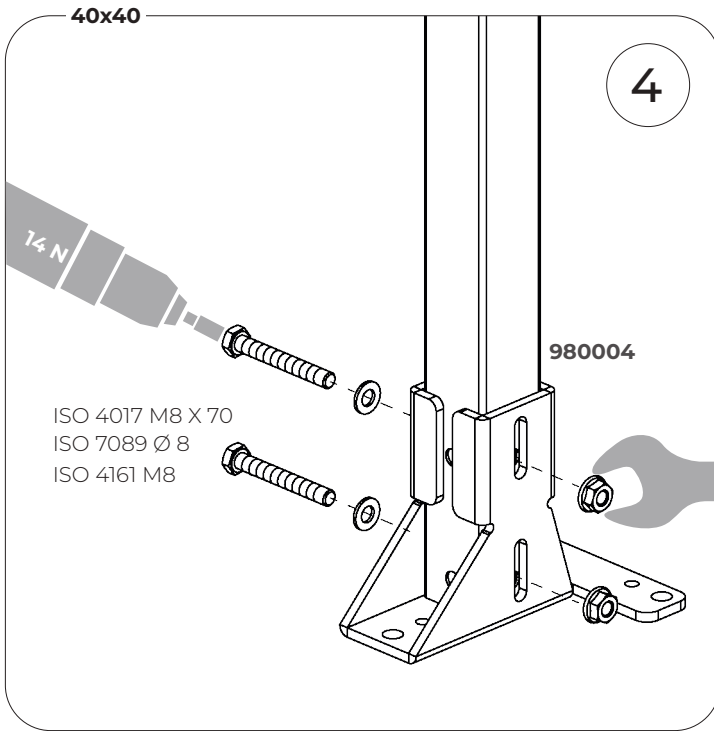


3



ImpactGuard

SAFE START



ImpactGuard

ASSEMBLY INSTRUCTIONS

4021000000000005 (60X60)

906565
(60x60)



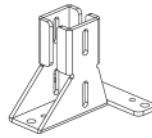
x 1

810027A
(T20)



x 4

980004



x 1

4021000000000006 (60X60)

906565
(60x60)



x 1

810031
(T30)



x 4

4021000000000001

ISO 4017 M8 X 30



x 1

ISO 7089 Ø 8



x 1

4TPTASS008075Z1



x 3

4021000000000004 (40x40)

904545
(40x40)



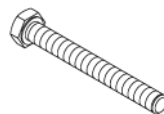
x 1

810027A
(T20)



x 4

ISO 4017 M8 X 70



x 2

ISO 7089 Ø 8



x 2

ISO 4161 M8



x 2

Tools



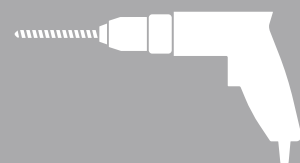
13



13

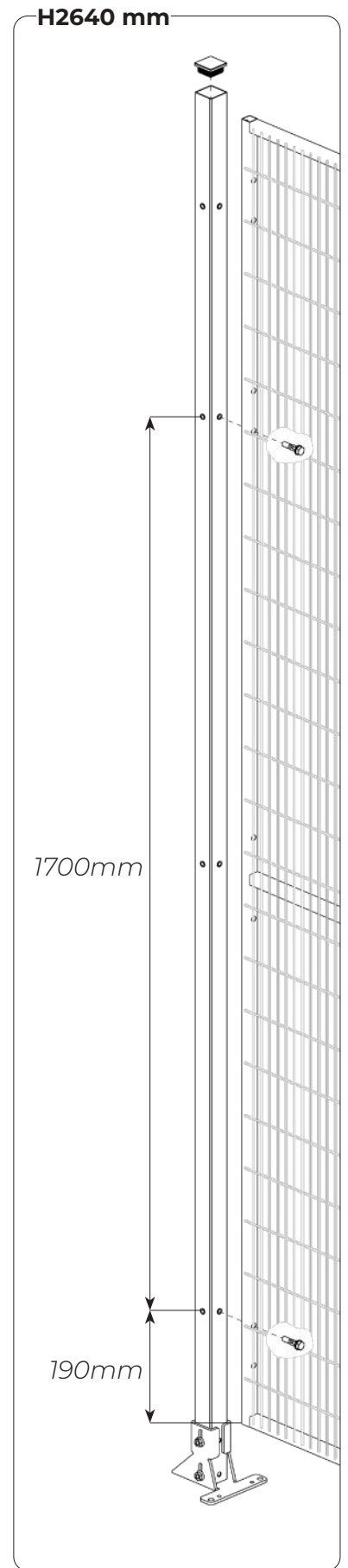
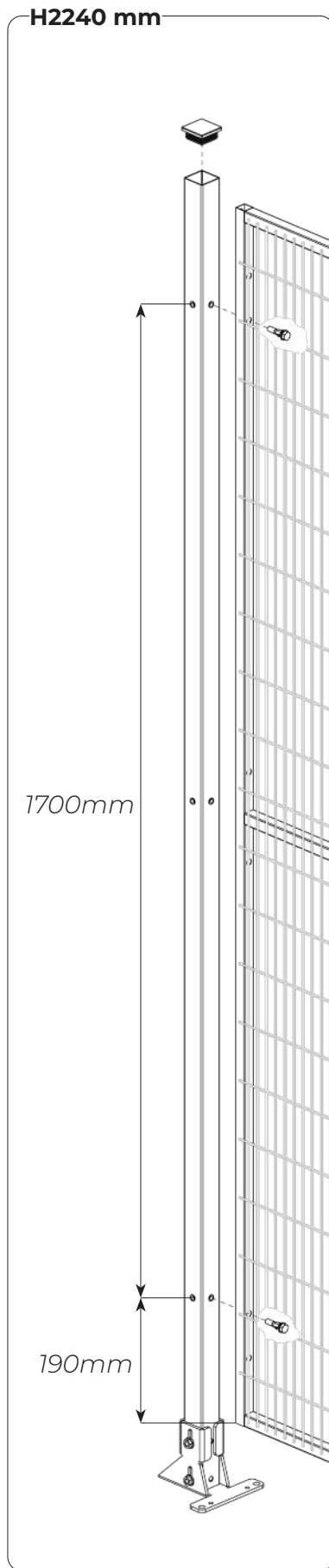
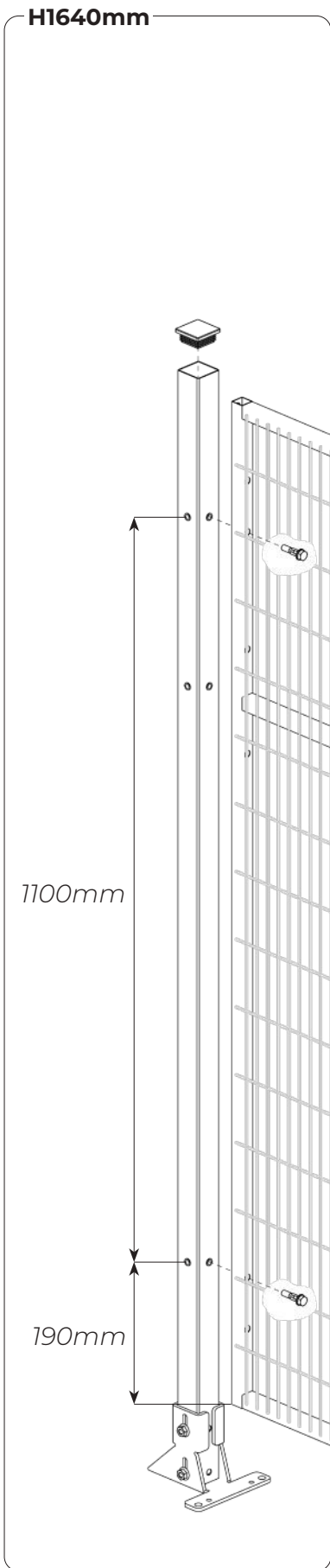


13



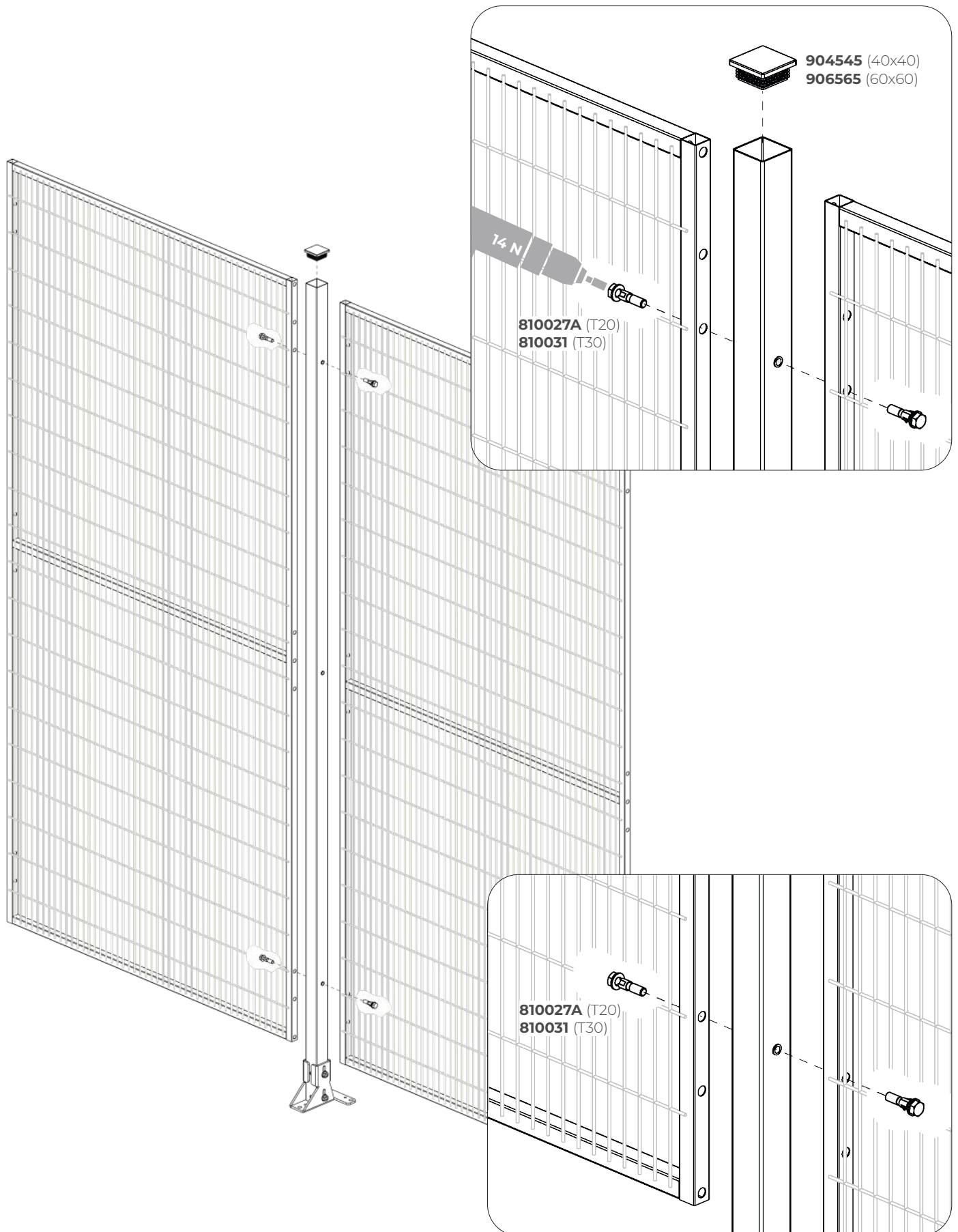
ImpactGuard

ASSEMBLY INSTRUCTIONS



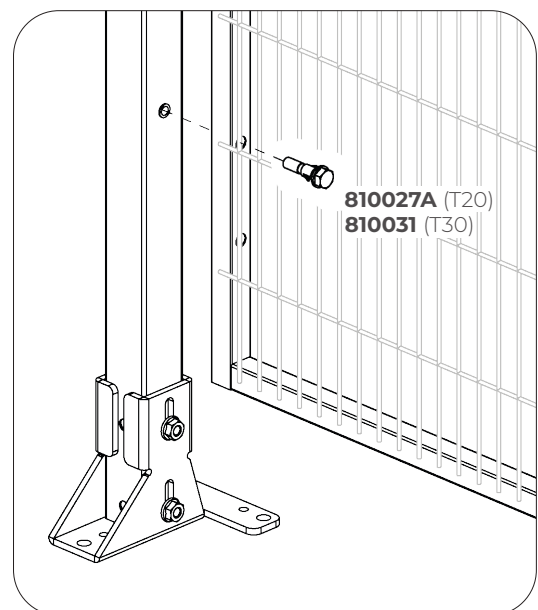
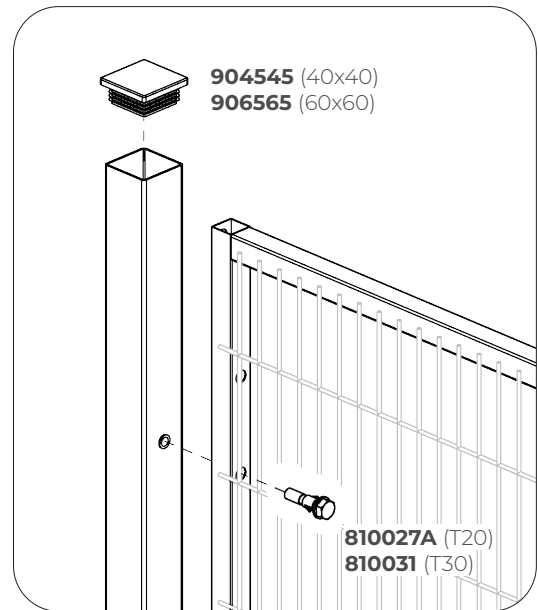
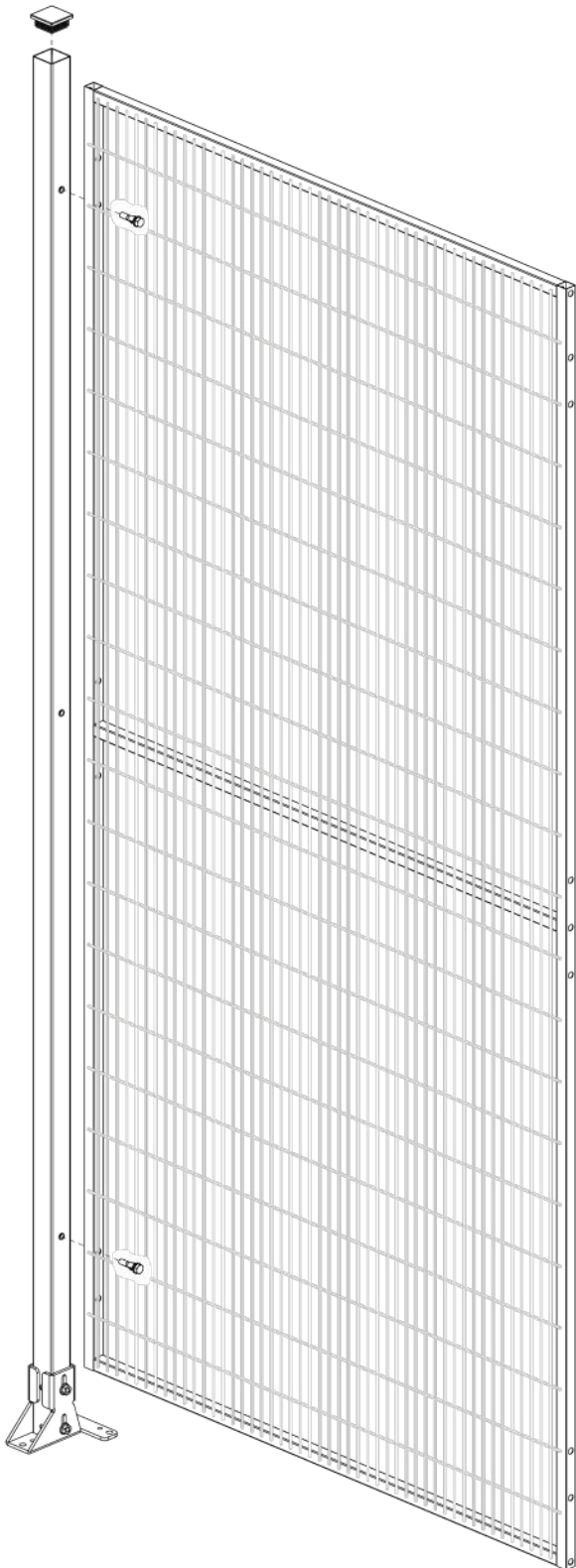
ImpactGuard

ASSEMBLY INSTRUCTIONS - LINEAR



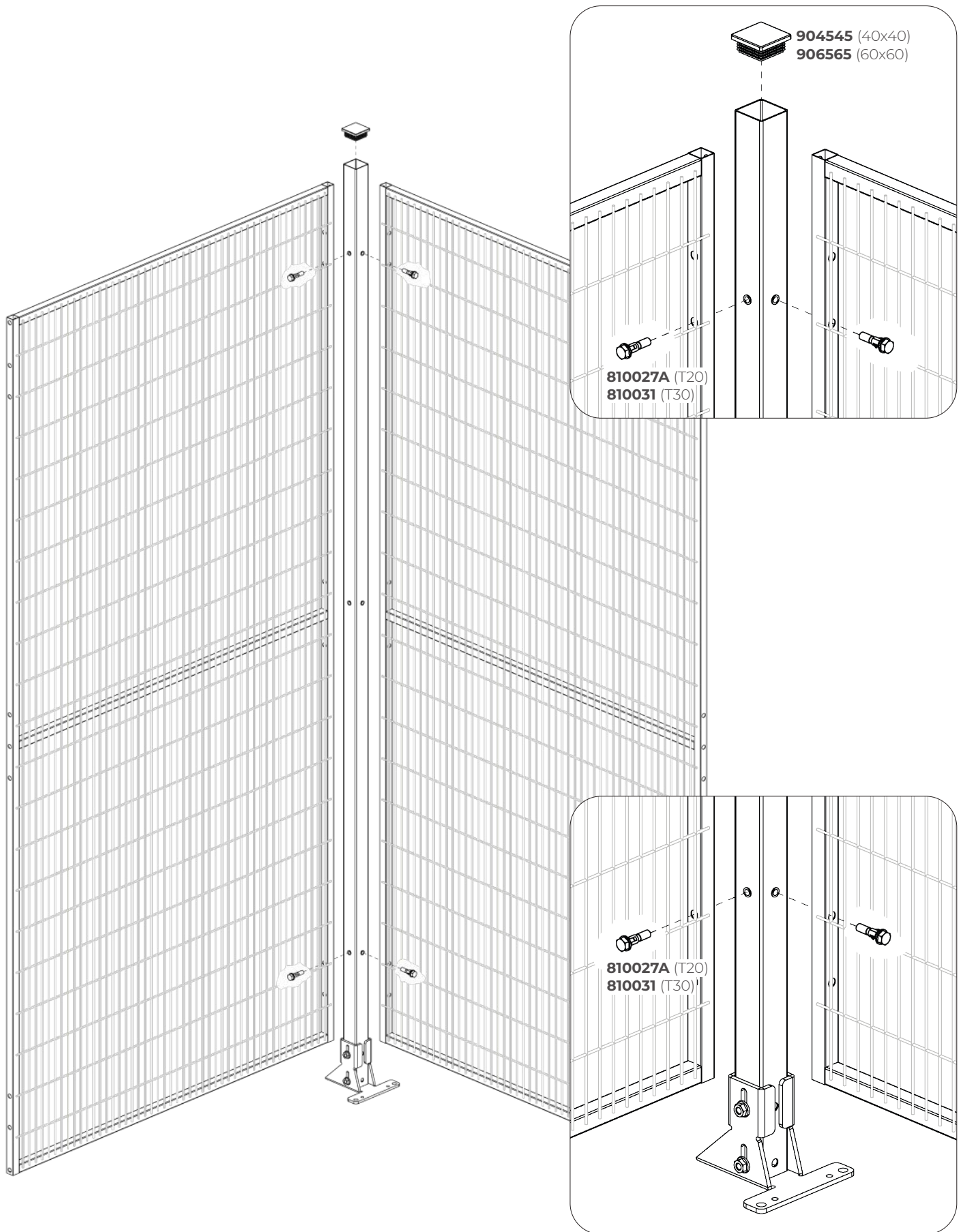
ImpactGuard

ASSEMBLY INSTRUCTIONS - TERMINAL



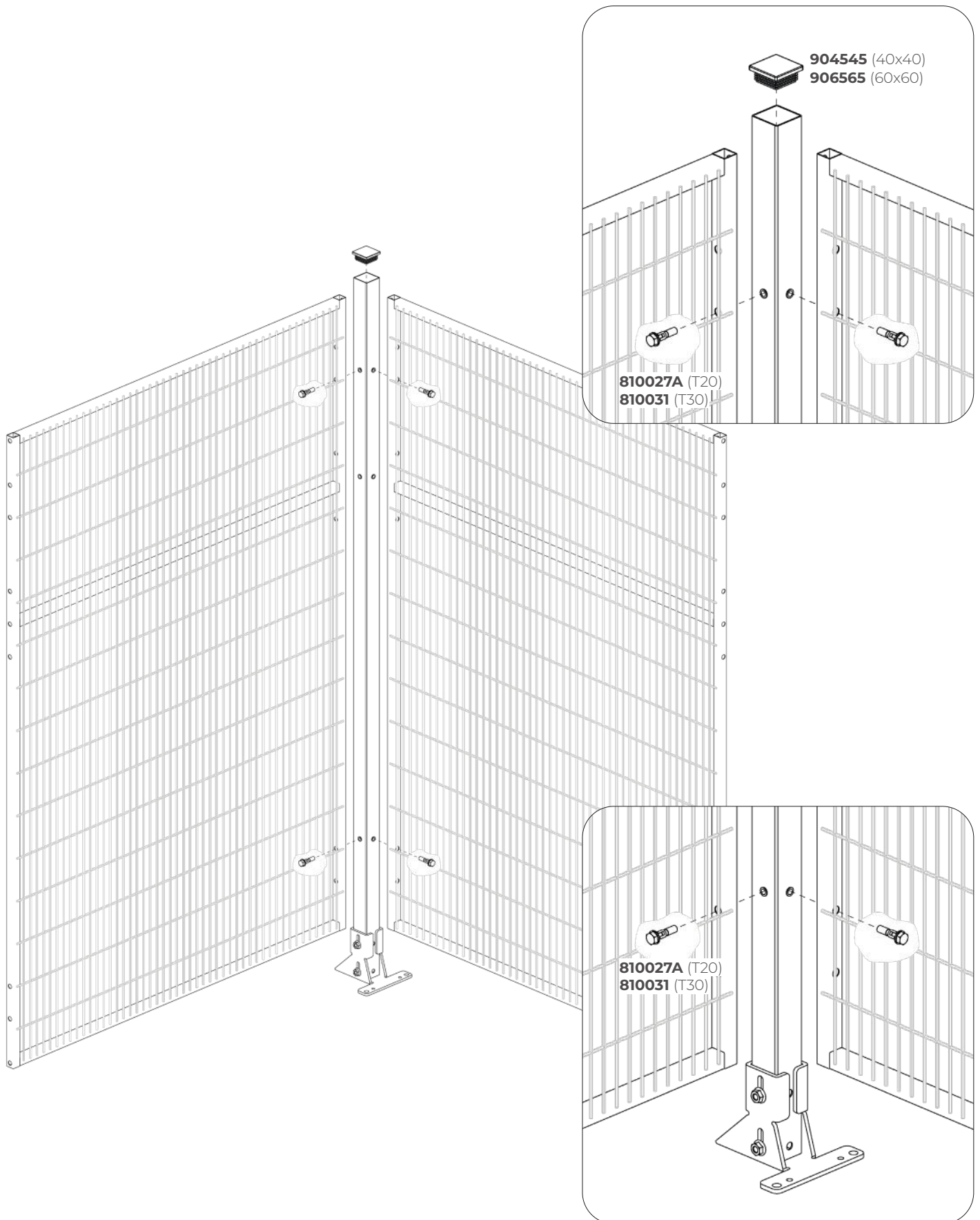
ImpactGuard

ASSEMBLY INSTRUCTIONS - ANGULAR



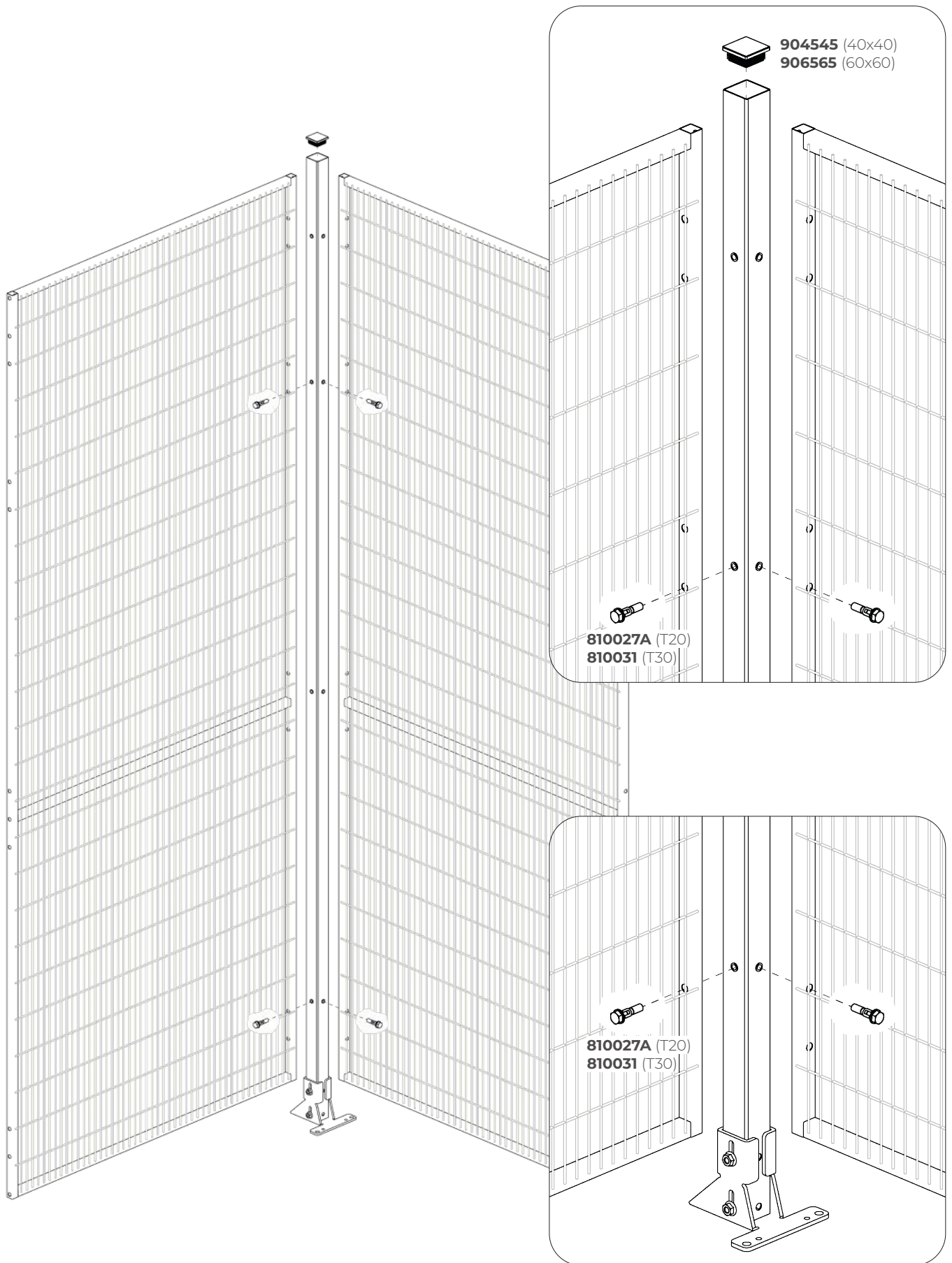
ImpactGuard

ASSEMBLY INSTRUCTIONS - H1640mm



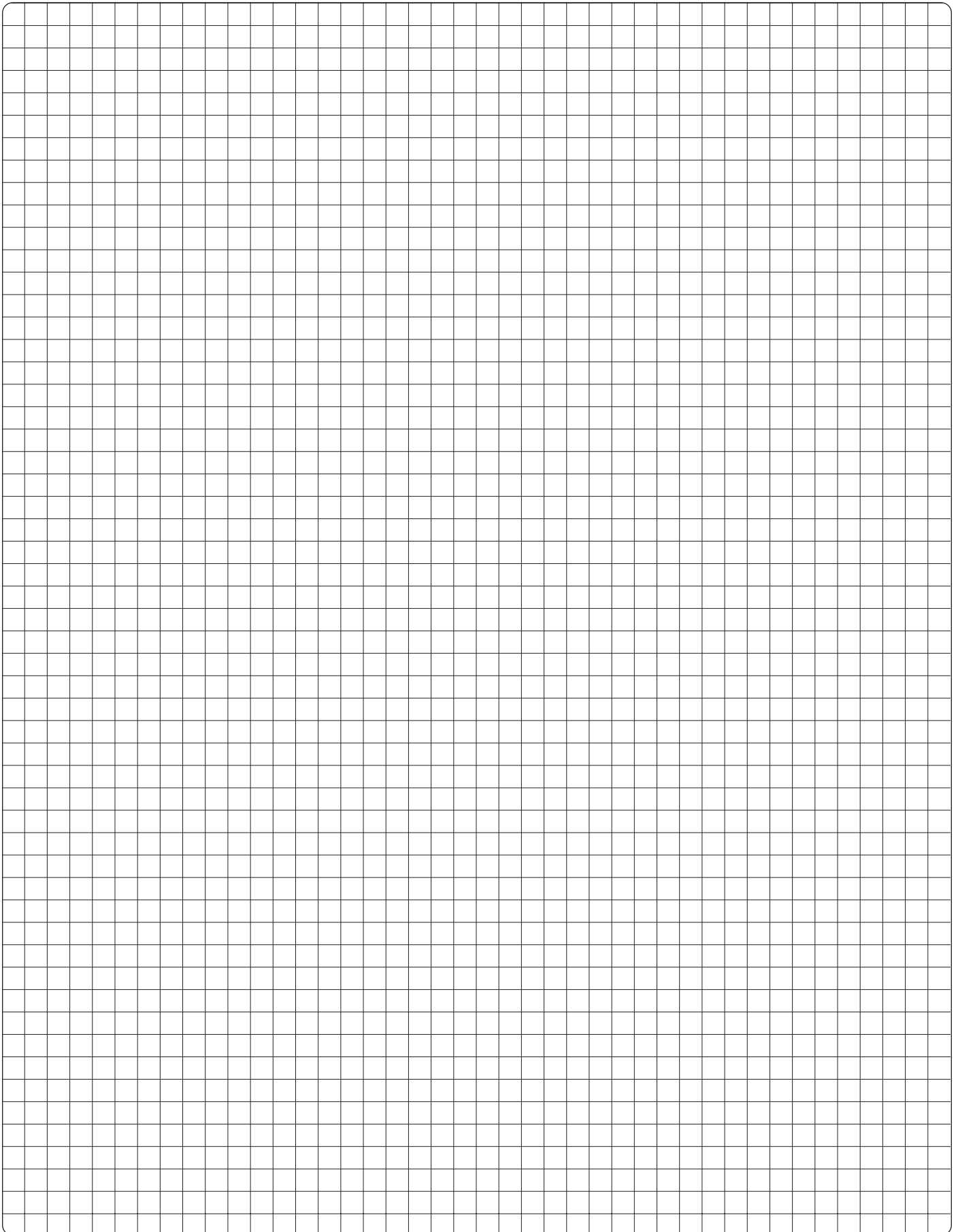
ImpactGuard

ASSEMBLY INSTRUCTIONS - H2640mm



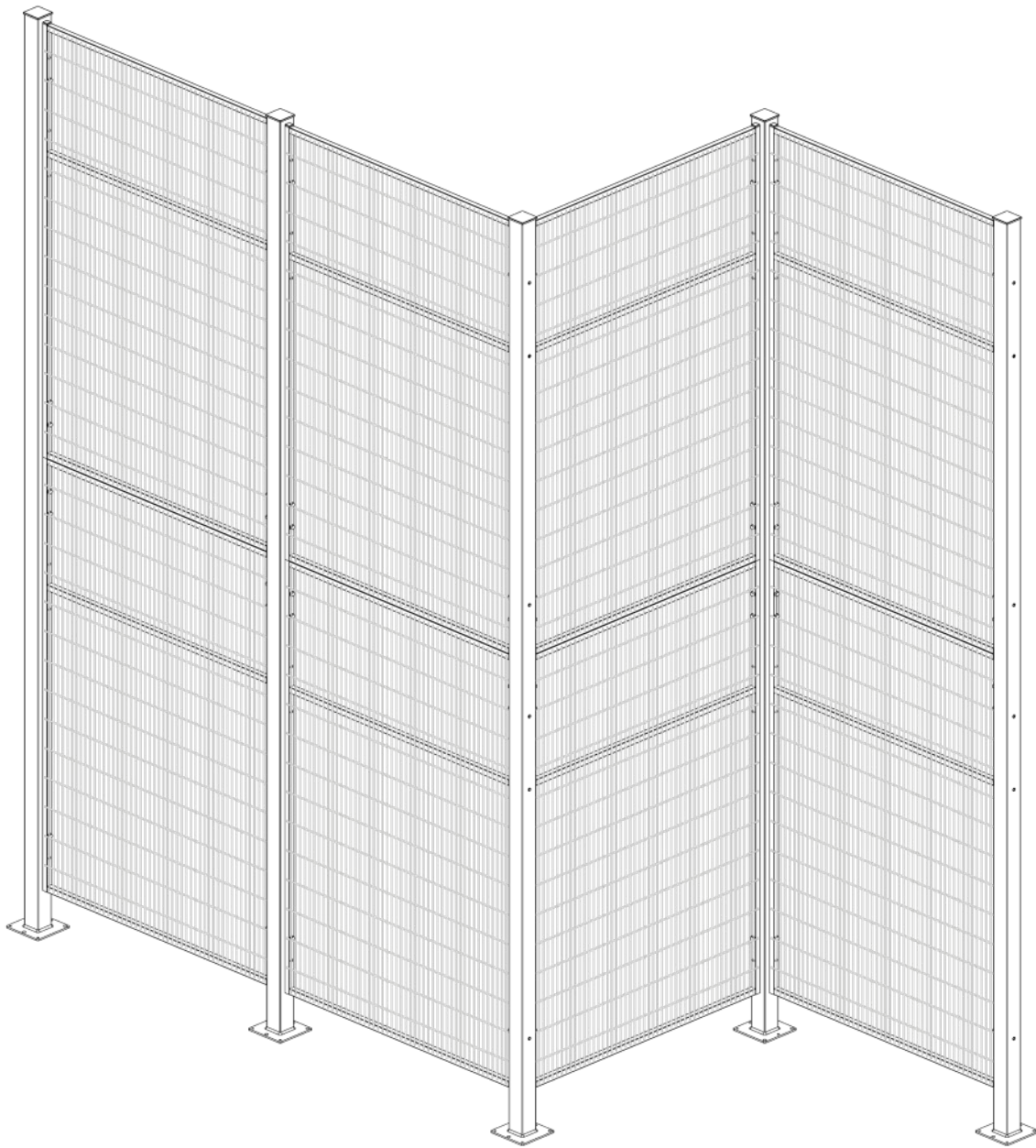
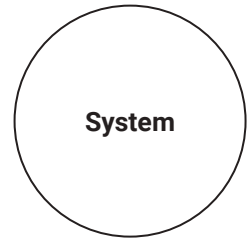
ImpactGuard

ASSEMBLY INSTRUCTIONS - NOTES

A large grid of graph paper for taking notes, consisting of 30 columns and 40 rows of small squares.

ImpactGuard 60

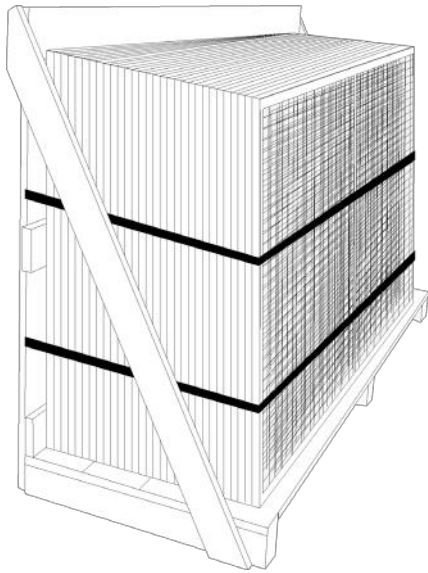
H3120mm - ASSEMBLY INSTRUCTION



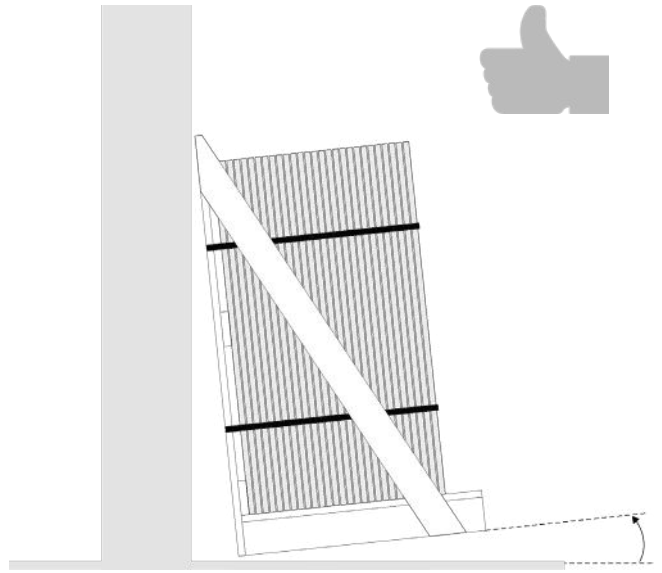
ImpactGuard 60

SAFE START

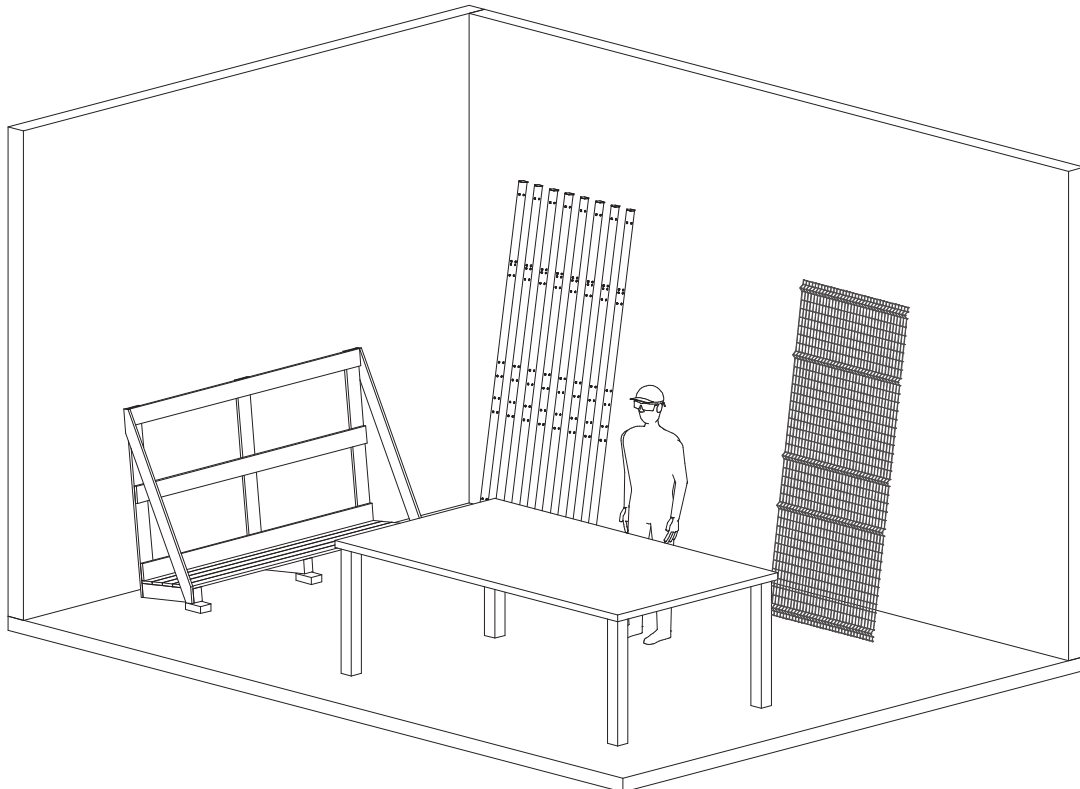
1



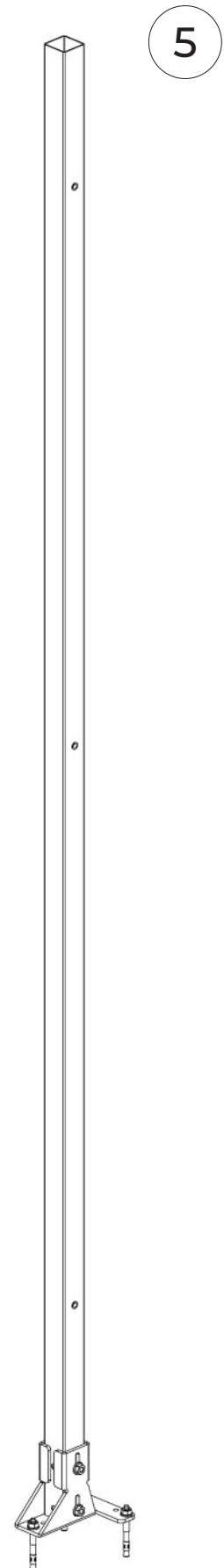
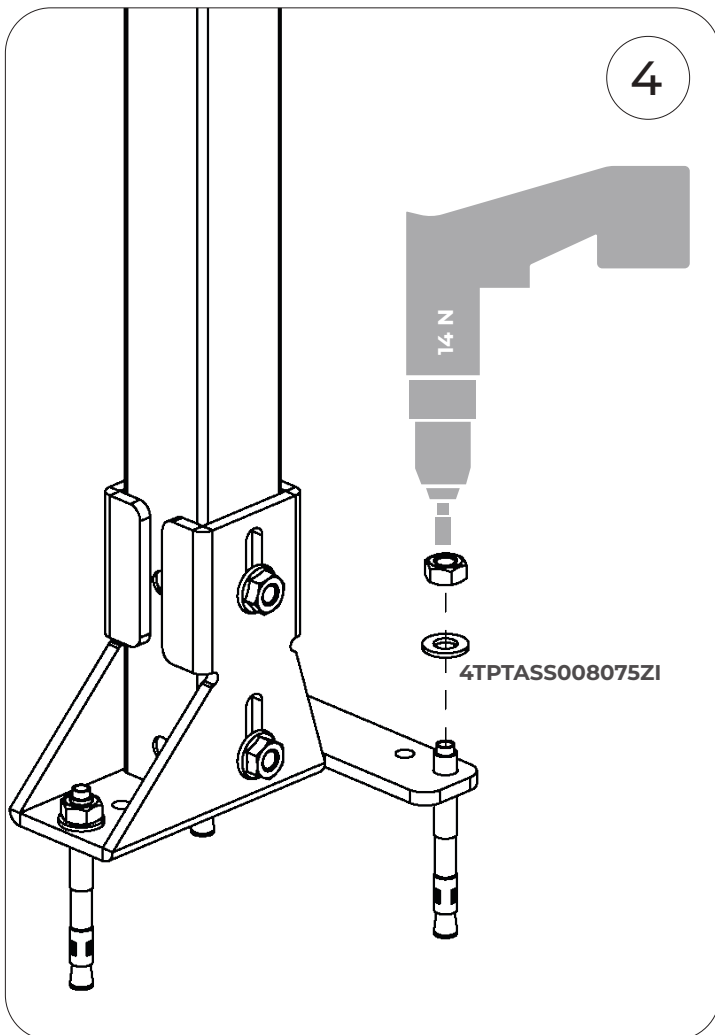
2



3

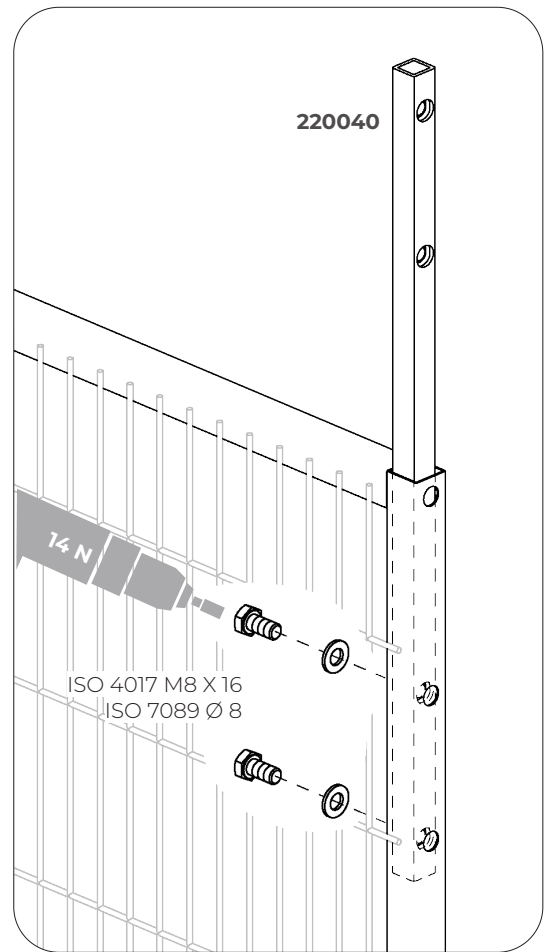
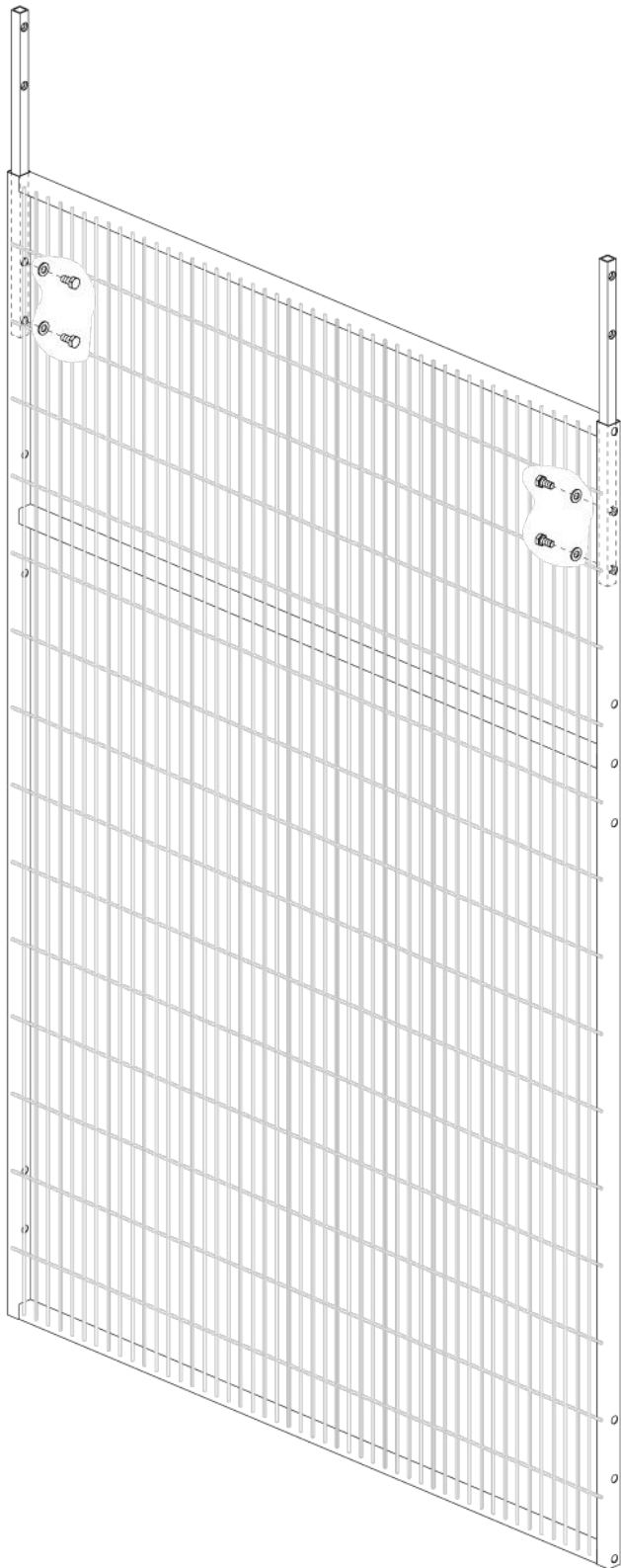


ImpactGuard 60
SAFE START



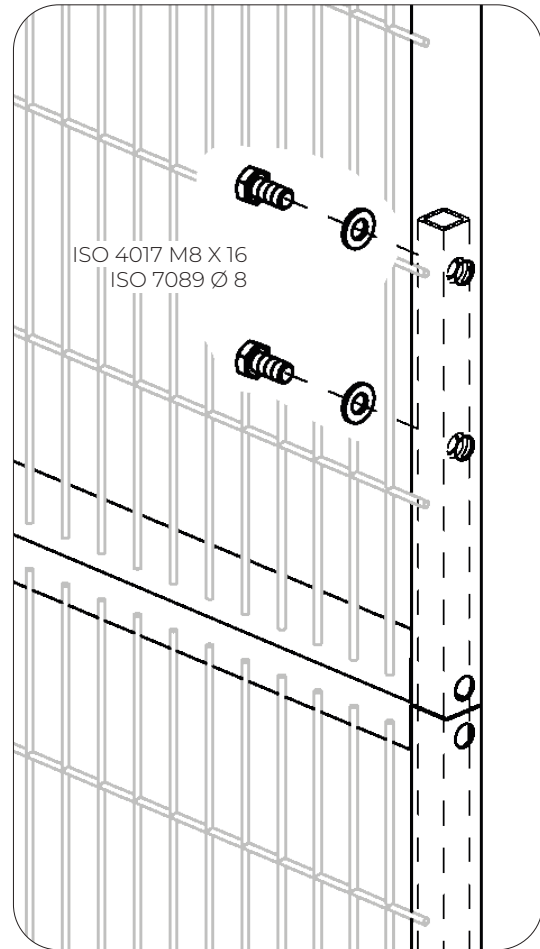
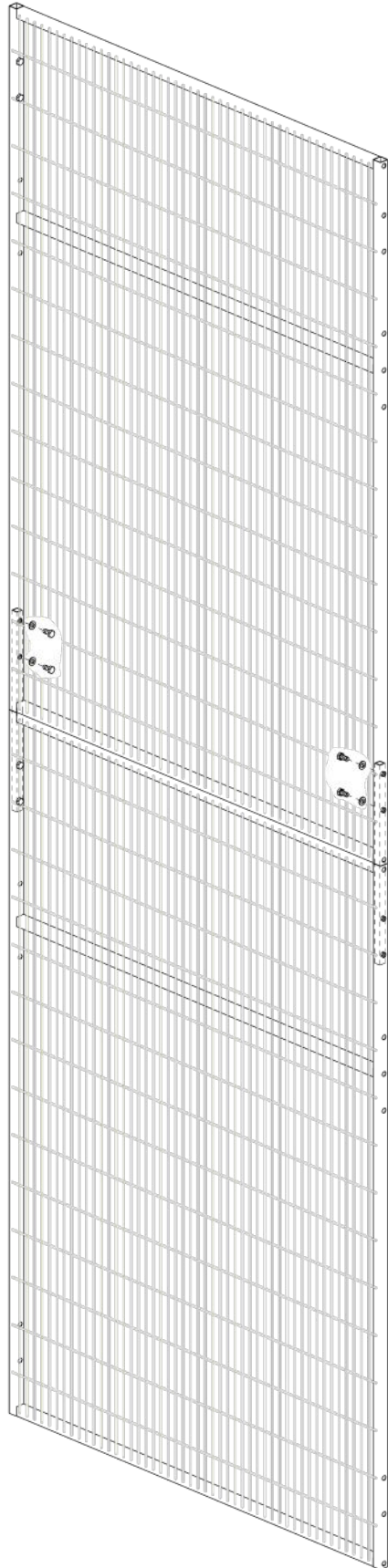
ImpactGuard 60

H3120mm - ASSEMBLY INSTRUCTION - PANEL ASSEMBLY



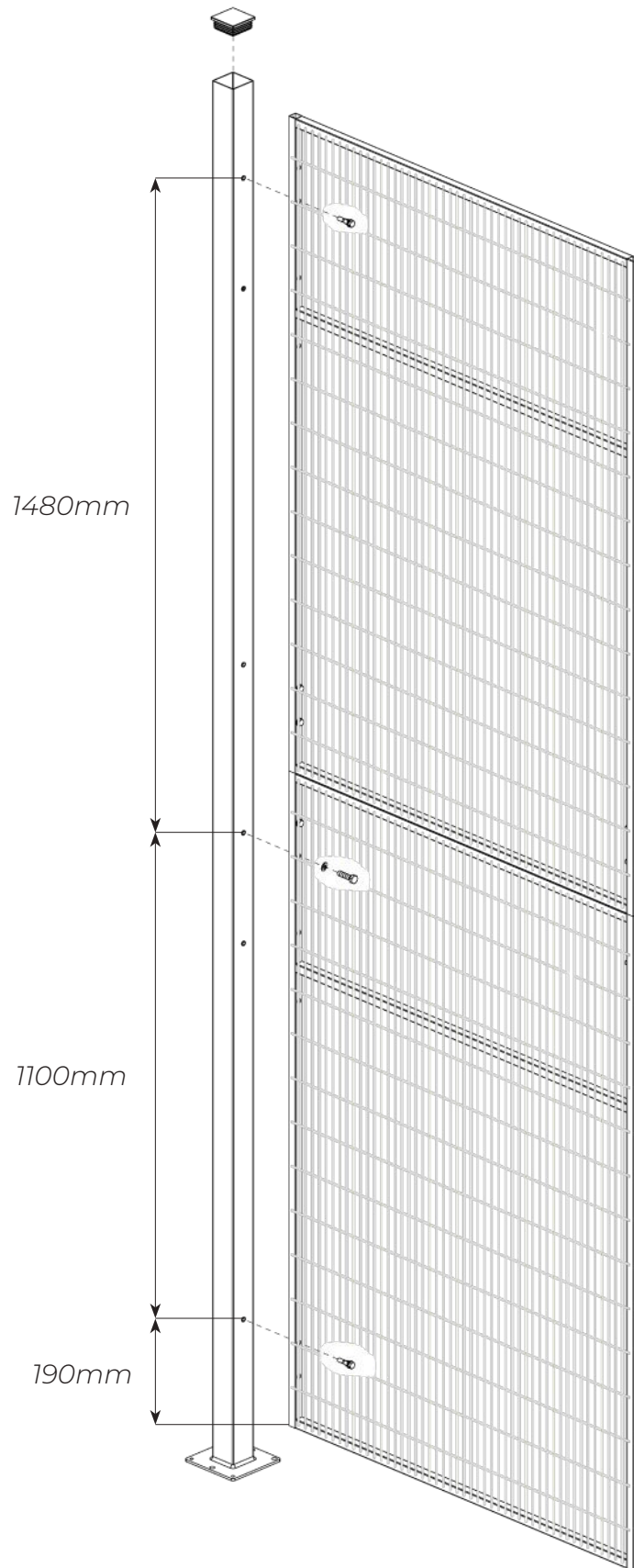
ImpactGuard 60

H3120mm - ASSEMBLY INSTRUCTION - PANEL ASSEMBLY



ImpactGuard 60

H3120mm - ASSEMBLY INSTRUCTION



ImpactGuard 60

H3120mm - ASSEMBLY INSTRUCTION - LINEAR

220040



x 4

ISO 4017 M8 X 16



x 16

ISO 7089 Ø 8



x 16

4021000000000008

810031



x 2

ISO 4017 M8 X 50



x 2

4021000000000006

906565



x 1

810031



x 4

4021000000000001

ISO 4017 M8 X 30



x 1

ISO 7089 Ø 8



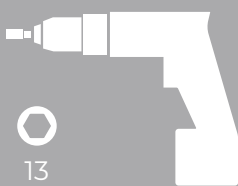
x 1

4TPTASS008075Z1



x 3

Tools



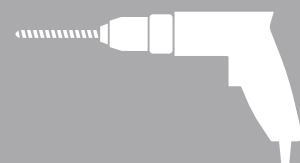
13



13

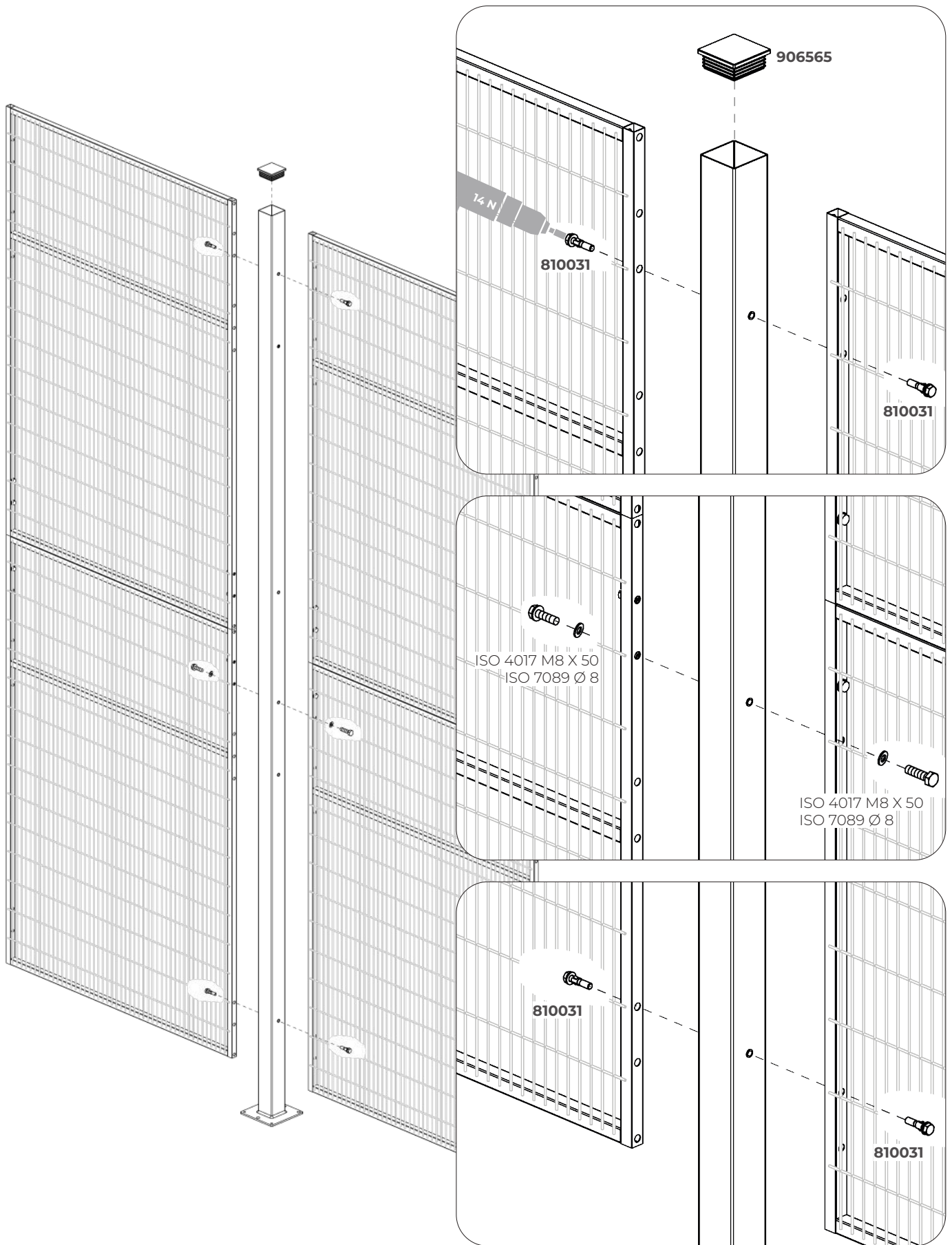


13



ImpactGuard 60

H3120mm - ASSEMBLY INSTRUCTION - LINEAR



ImpactGuard 60

H3120mm - ASSEMBLY INSTRUCTION - TERMINAL

220040



x 2

ISO 4017 M8 X 16



x 8

ISO 7089 Ø 8



x 8

4021000000000008

810031



x 2

ISO 4017 M8 X 50



x 1

4021000000000006

906565



x 2

810031



x 4

4021000000000001

ISO 4017 M8 X 30



x 1

ISO 7089 Ø 8



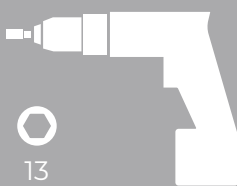
x 1

4TPTASS008075Z1



x 3

Tools



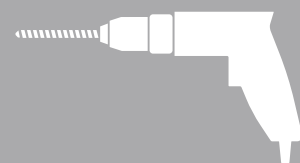
13



13

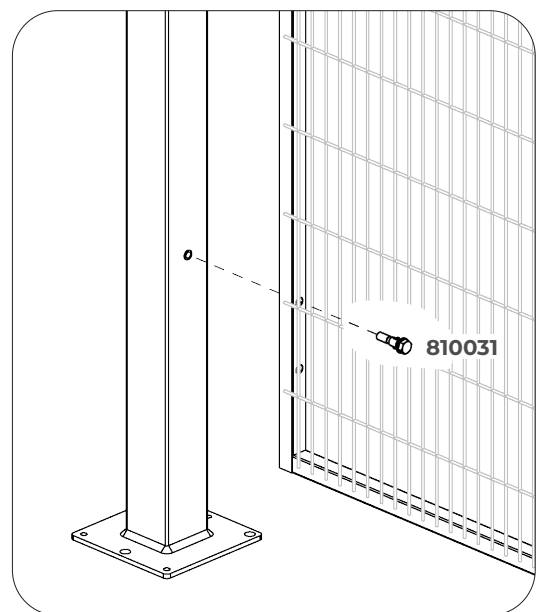
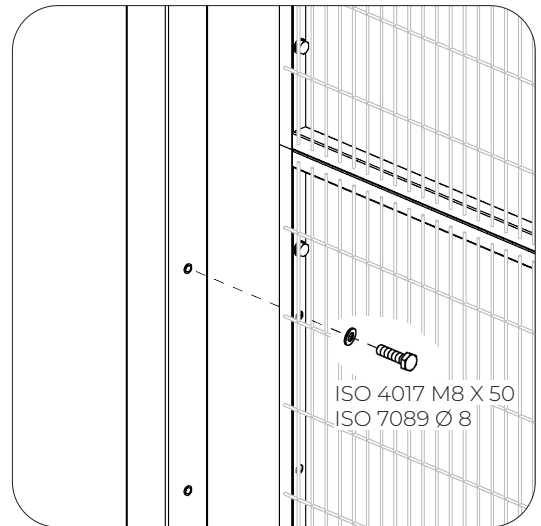
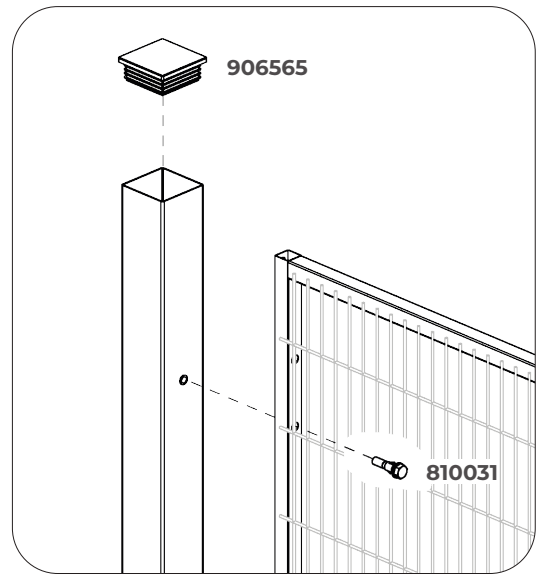
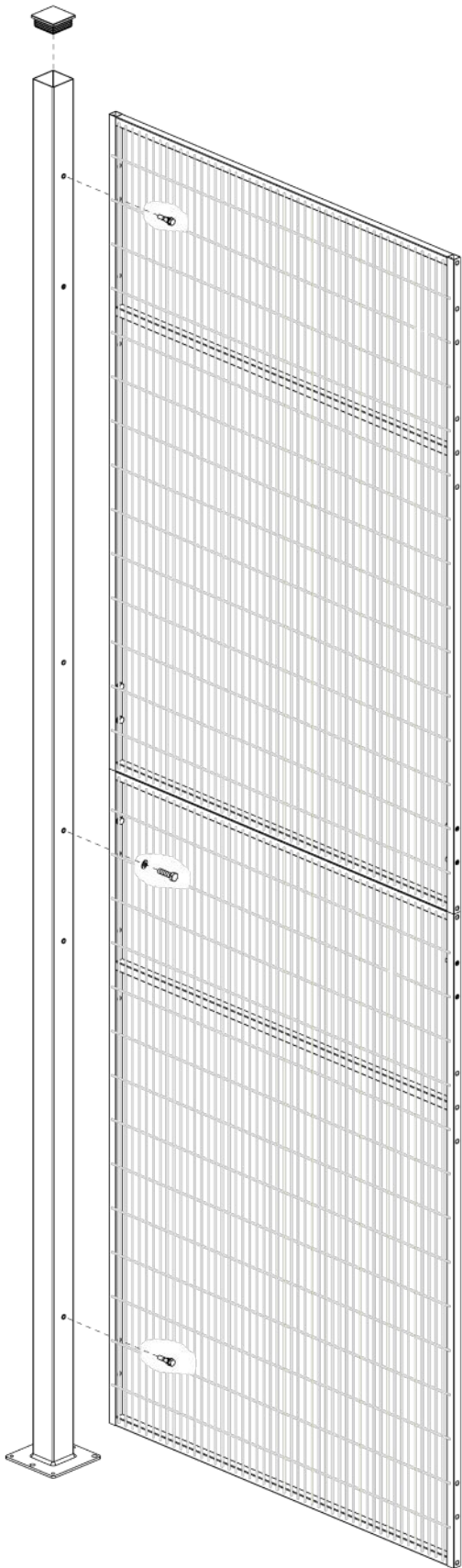


13



ImpactGuard 60

H3120mm - ASSEMBLY INSTRUCTION - TERMINAL



ImpactGuard 60

H3120mm - ASSEMBLY INSTRUCTION - ANGULAR

220040



x 4

ISO 4017 M8 X 16



x 16

ISO 7089 Ø 8



x 16

4021000000000008

810031



x 2

ISO 4017 M8 X 50



x 2

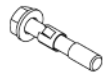
4021000000000006

906565



x 2

810031



x 4

4021000000000001

ISO 4017 M8 X 30



x 1

ISO 7089 Ø 8



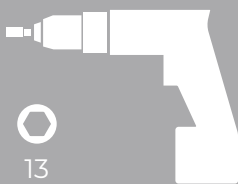
x 1

4TPTASS008075Z1



x 3

Tools



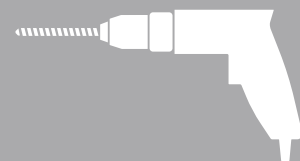
13



13

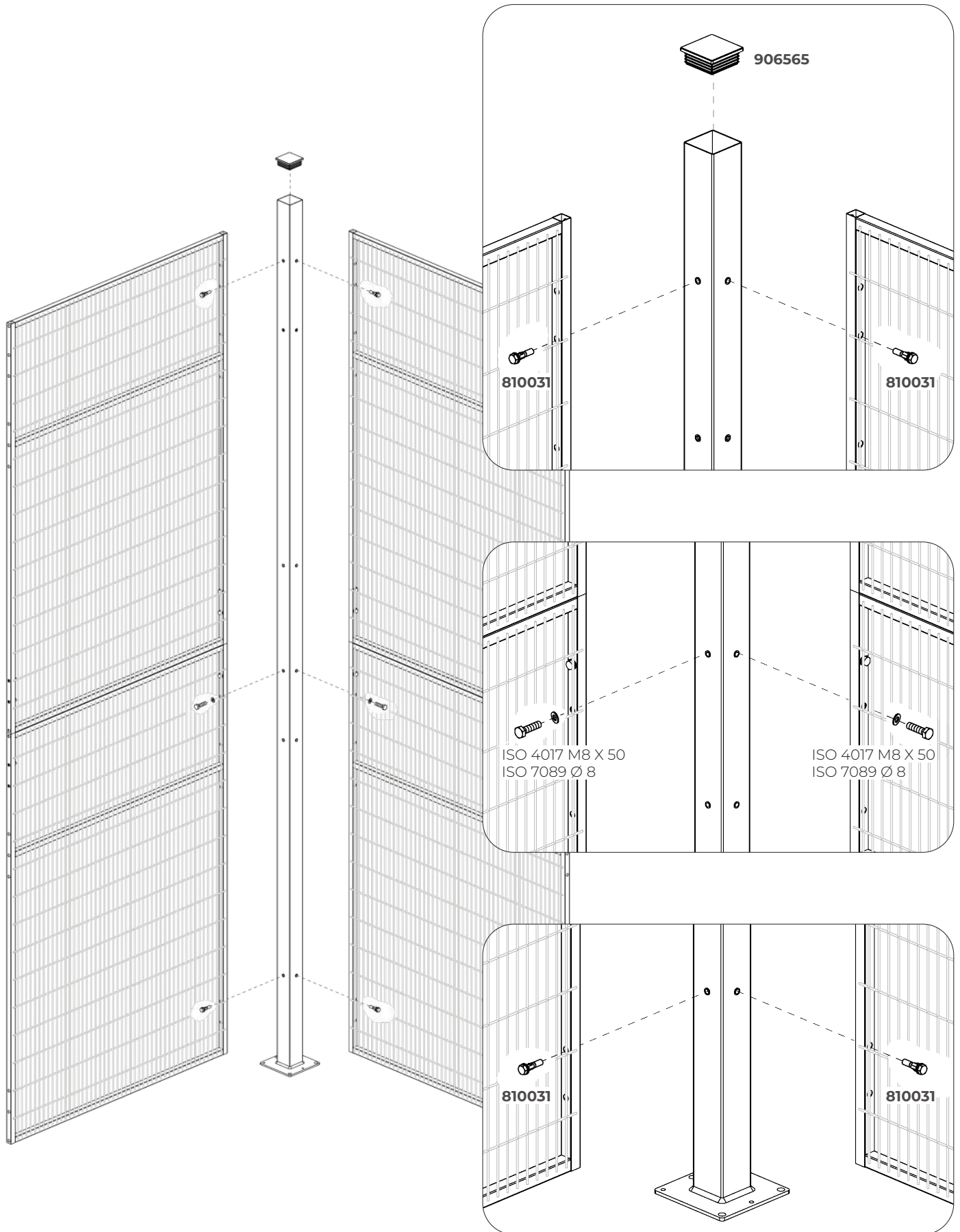


13



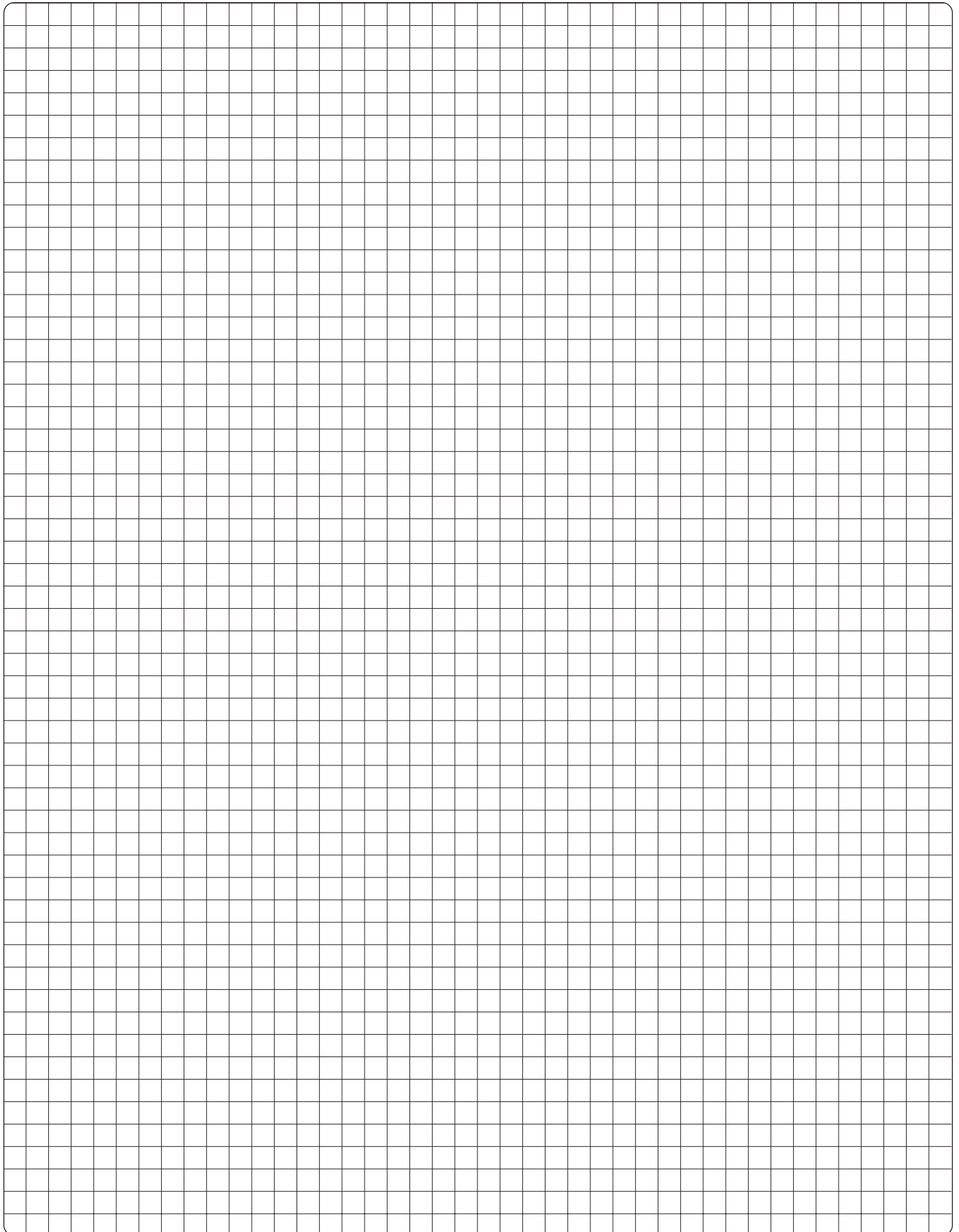
ImpactGuard 60

H3120mm - ASSEMBLY INSTRUCTION - ANGULAR



ImpactGuard 60

H3120mm - ASSEMBLY INSTRUCTION - NOTES

A large grid area for taking notes, consisting of many small squares. The grid is approximately 30 columns wide and 50 rows high, providing a structured space for recording information during the assembly process.

Modular Machine Guards that fit your needs.

Tailor-made solutions for the safety of operators and machinery



Protecting workers and machinery is paramount to create a safe and productive work environment. Satech Modular Machine Guards Systems, Doors and Accessories provide tailor-made solutions for any machinery layout need. **3 framed Systems, 2 frameless Systems** and **more than 150 Locks/Interlocks** ensure the maximum level of protection (PL) when accessing hazard areas for inspection or machinery maintenance.

Perimeter Protection Machine Safety Guards compliant with European and International Standards

Satech Machine Guards are manufactured in compliance with the **EN ISO 14120** standard, "General requirements for the design and construction of fixed and movable guards". They can be installed at a minimum distance of **120 mm from hazard** (as for EN ISO 13857), saving you plenty of layout space.

All Satech products are manufactured with **quality materials** and are highly durable. Mesh panels and other panel solutions can be easily and rapidly connected to posts (with captive retained fastenings, as for 2006/42/CE - Machinery Directive), which allows you to greatly **reduce assembly time**.

Founded in 2000, Satech was the first Italian Perimeter Guards Manufacturer. A **modern international company** today, in our 20+ years of work we have taken care of the safety of thousands of automated machinery systems and of millions of people worldwide. A **Safe Factory** is a **Productive One**.



Need help with this manual?

If you need additional specs, tips or manuals, please call our **Customer Service** at

+39 031 86230 85

SATECH
Modular Machine Guards

Satech Safety Technology SpA

Via Conte Taverna, 1
I-23892 Bulciago (LC)
Phone +39 031 86230 11



CERTIFIED
ISO 9001
ISO 14001
ISO 45001

