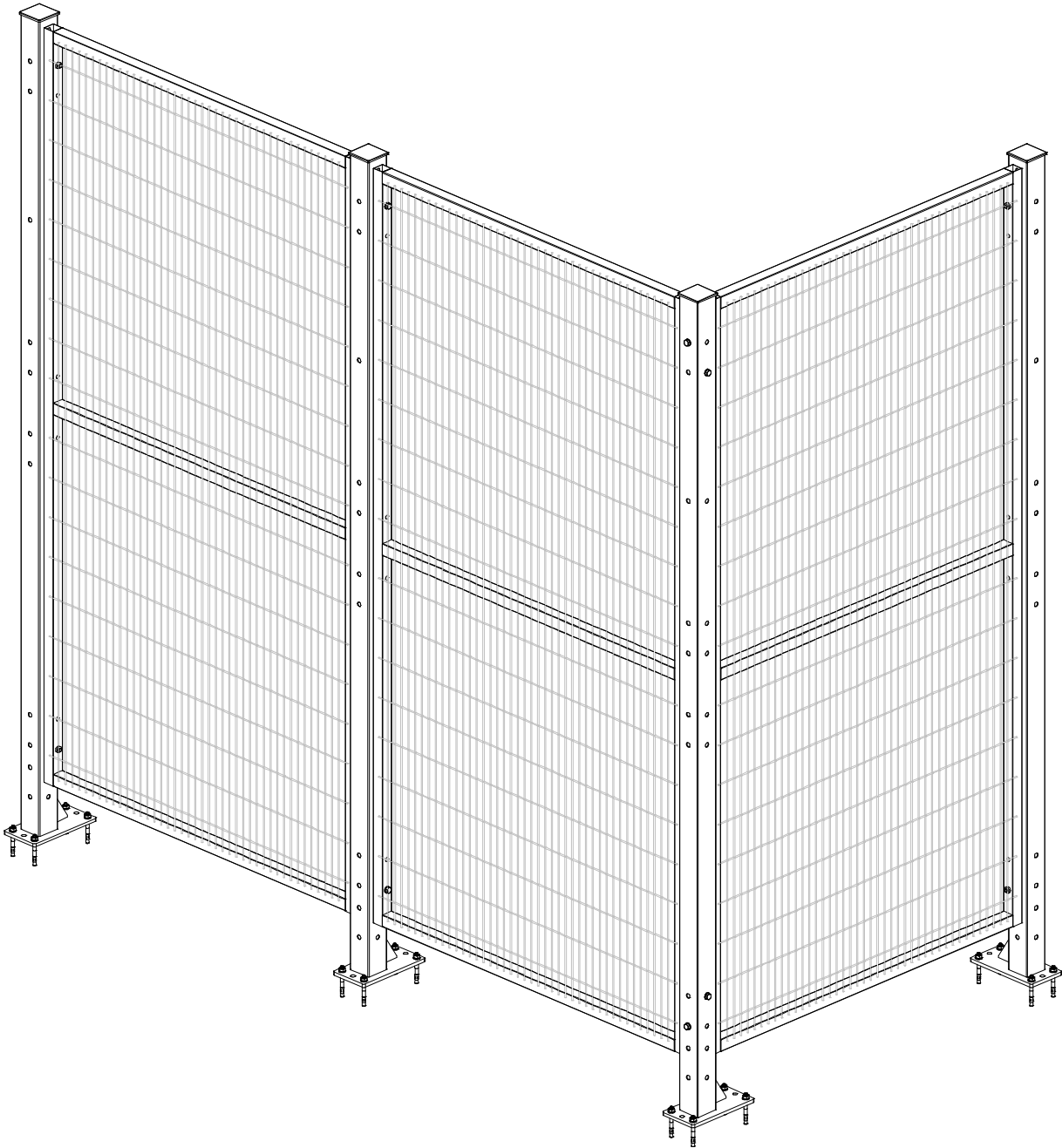
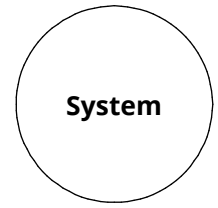
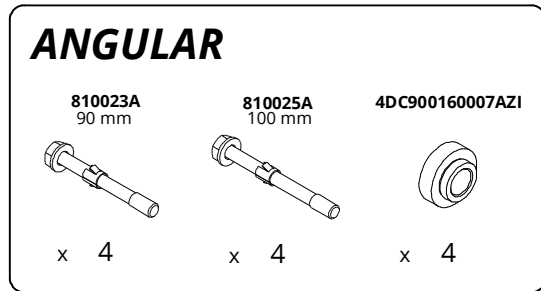
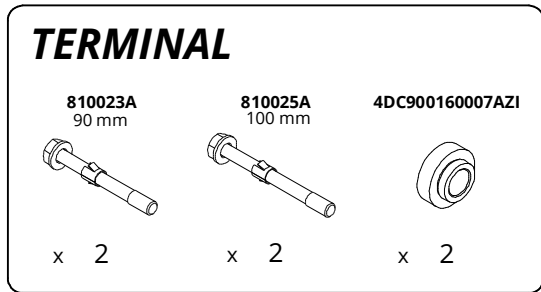
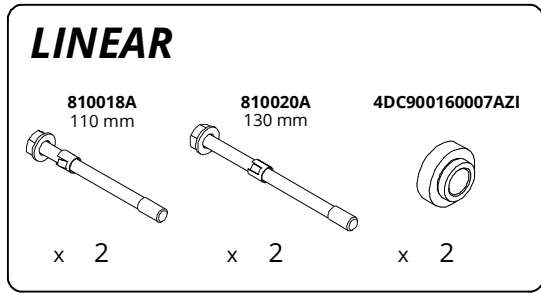


Series STRONG
LAYOUT ASSEMBLY WITH CAPTIVE RETAINED SCREWS

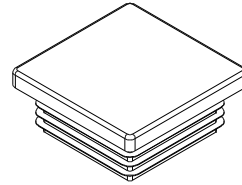


Series **STRONG**

LAYOUT ASSEMBLY WITH CAPTIVE RETAINED SCREWS

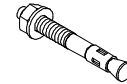


906565



x 1

4TPTASS008075ZI

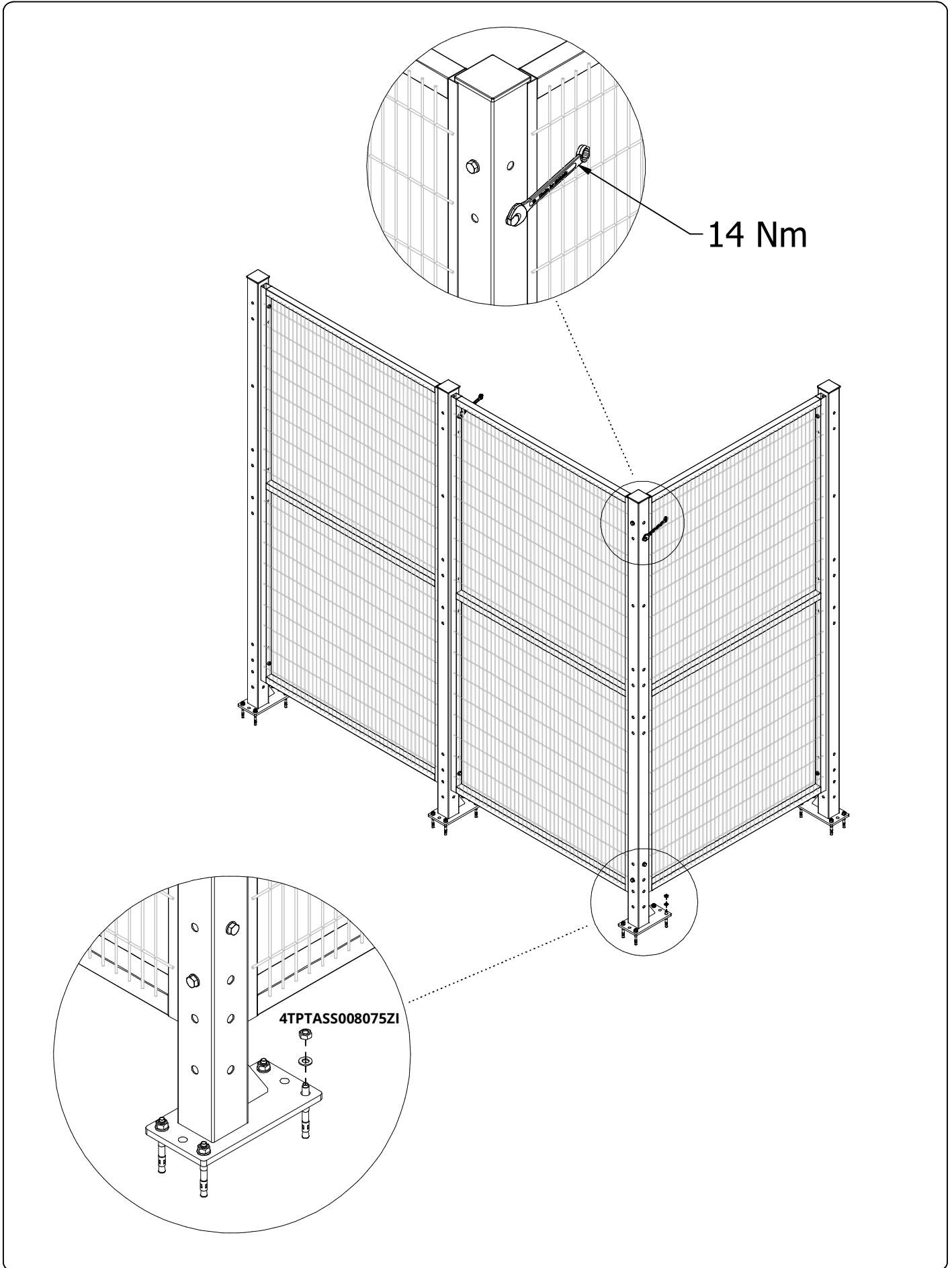


x 4



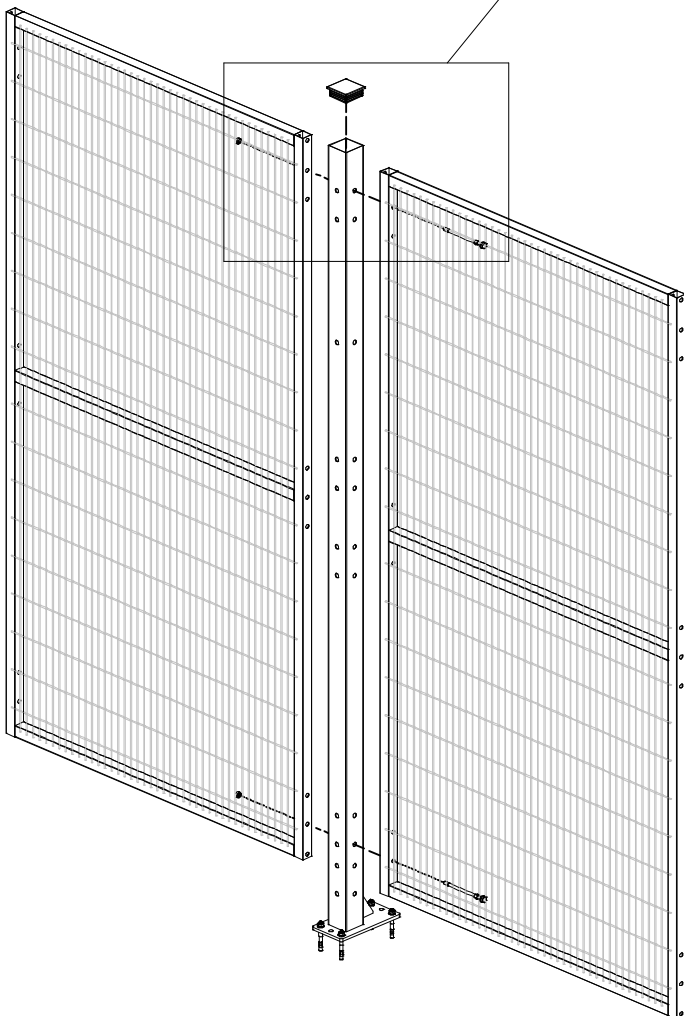
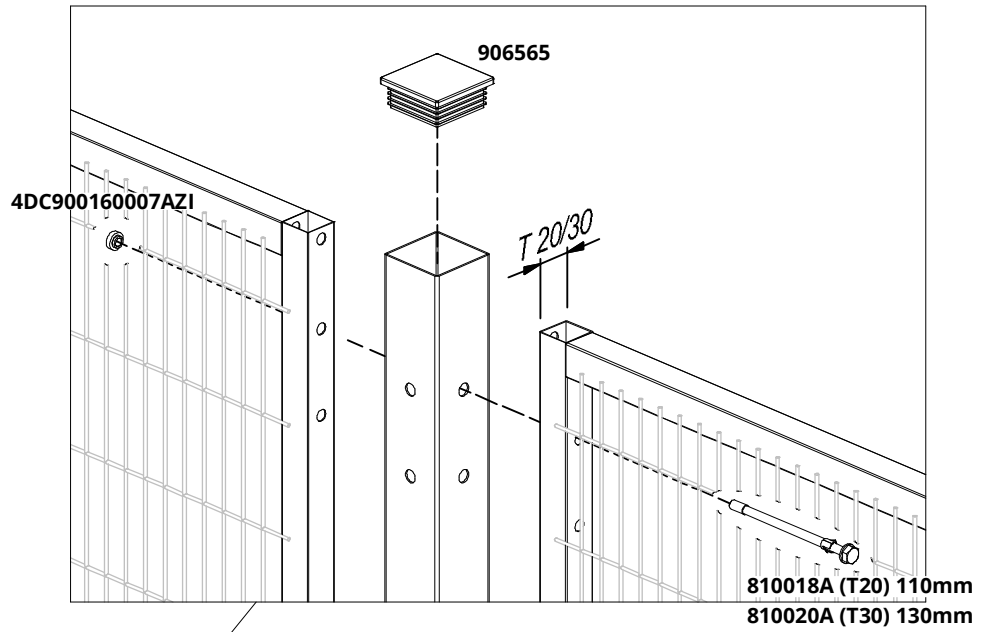
Series **STRONG**

LAYOUT ASSEMBLY WITH CAPTIVE RETAINED SCREWS



Series **STRONG**
LAYOUT ASSEMBLY WITH CAPTIVE RETAINED SCREWS

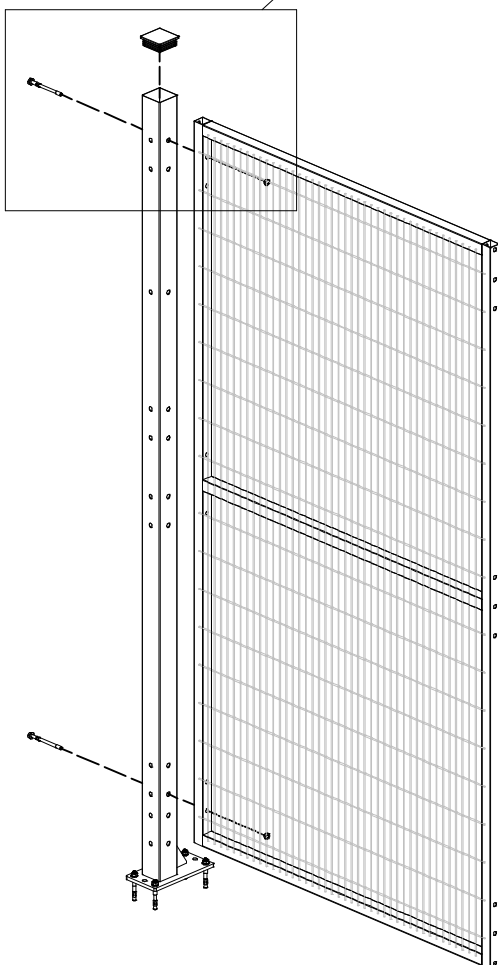
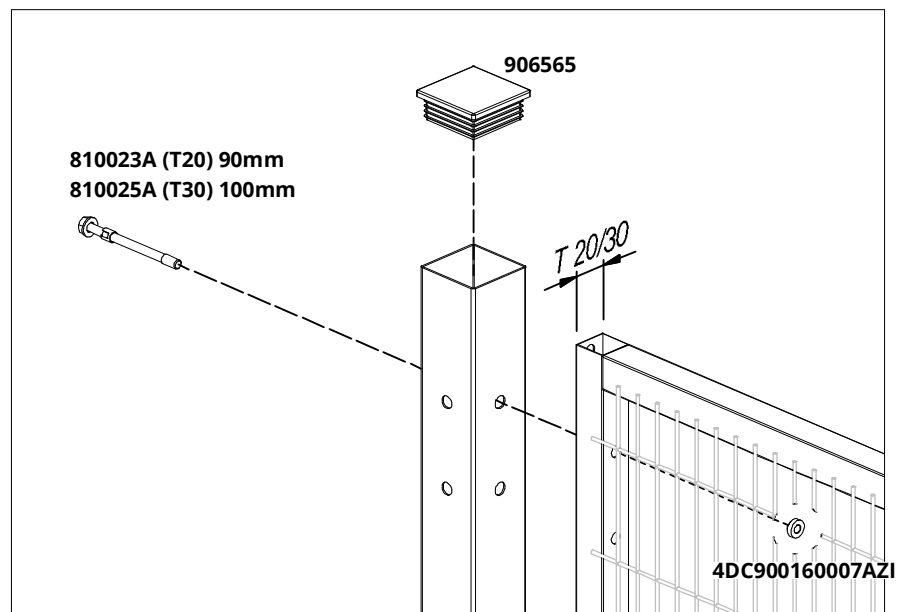
LINEAR



Series **STRONG**

LAYOUT ASSEMBLY WITH CAPTIVE RETAINED SCREWS

TERMINAL



Series **STRONG**
LAYOUT ASSEMBLY WITH CAPTIVE RETAINED SCREWS

ANGULAR

