

BlueGuard

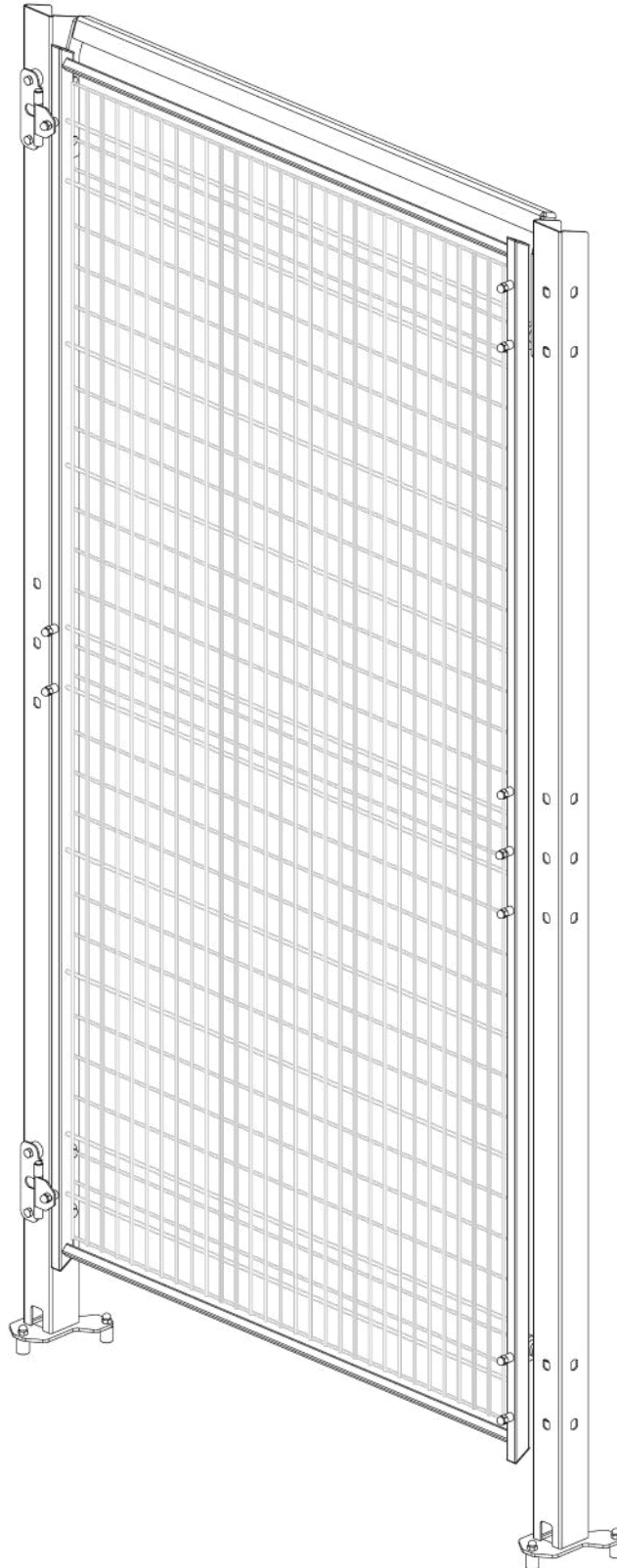
hygienic fencing

SINGLE LEAF

Hinged Door

ASSEMBLY INSTRUCTIONS

Door



BlueGuard Single Leaf Sliding Door

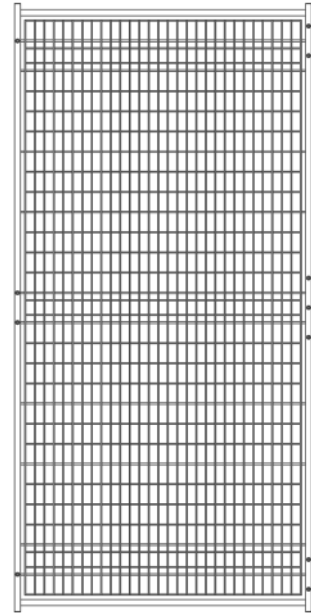
ASSEMBLY INSTRUCTIONS

830102 / 830043B
16501015 / 16501025



x 1

830101 / 830041B
16501010 / 16501020



x 1

4SKBLGHIS

16501040

830042C-F01



x 2

830042C-F02



x 2

830042C-F03



x 2

DIN 1587 M8



x 11

4KBLGAGGAC X4

830021



x 8

830026A



x 8

ISO 4017 M8 X 25



x 8

ISO 7093 Ø8 Ø24



x 8

4KBLGBATHIS

830021



x 1

830026A



x 1

830913



x 2

830914



x 1

ISO 4017 M8 X 45



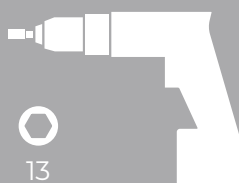
x 2

ISO 7093 Ø8 Ø24



x 2

Tools



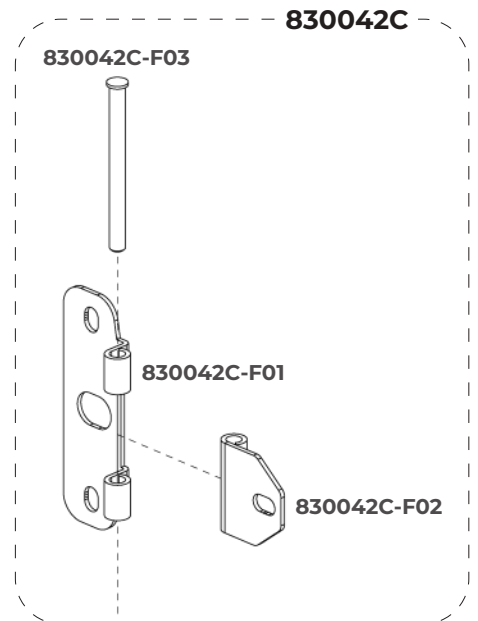
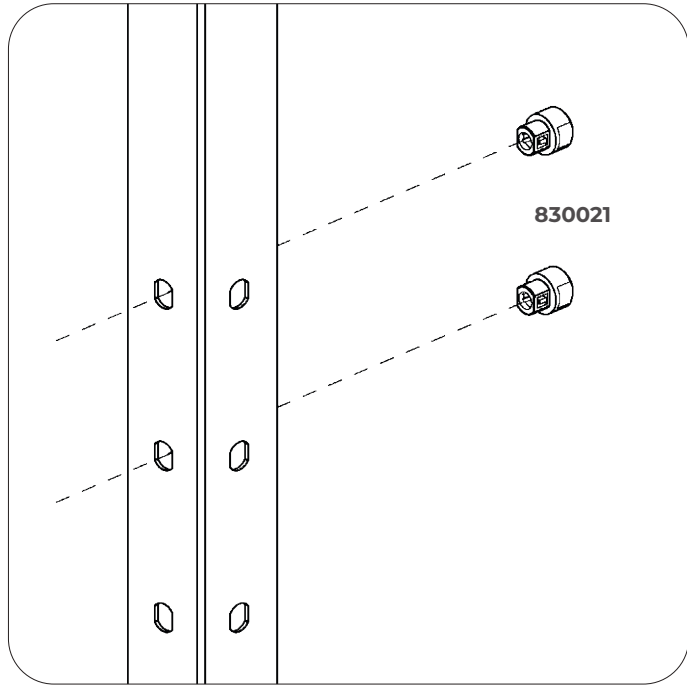
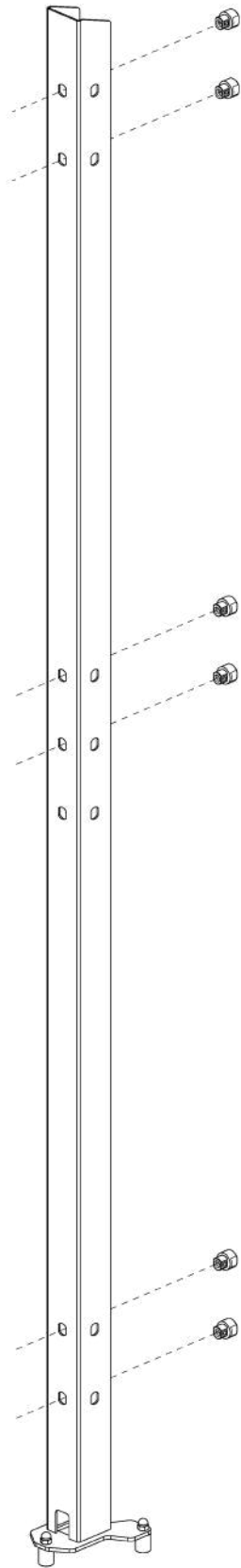
13



13

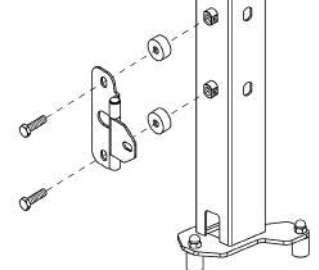
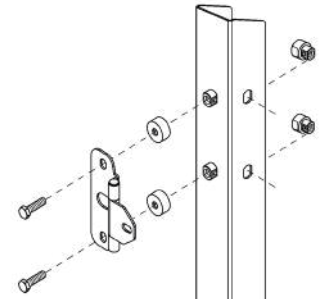
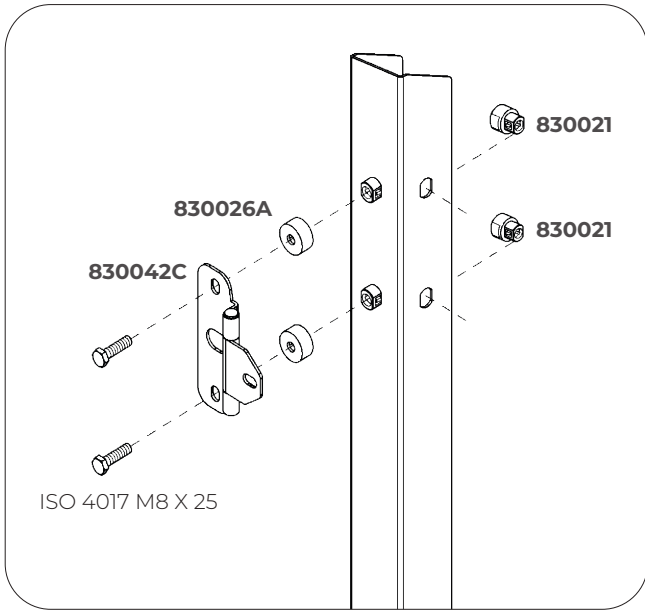
BlueGuard Single Leaf Sliding Door

ASSEMBLY INSTRUCTIONS



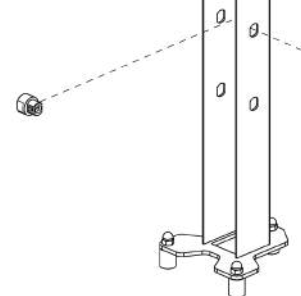
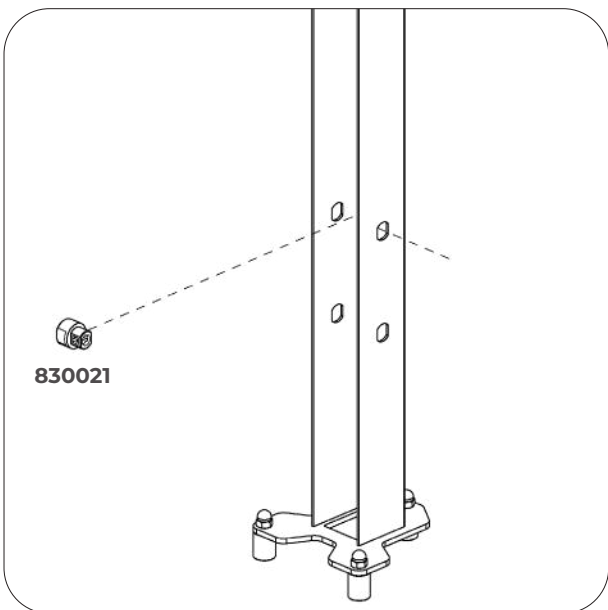
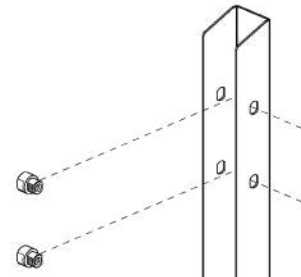
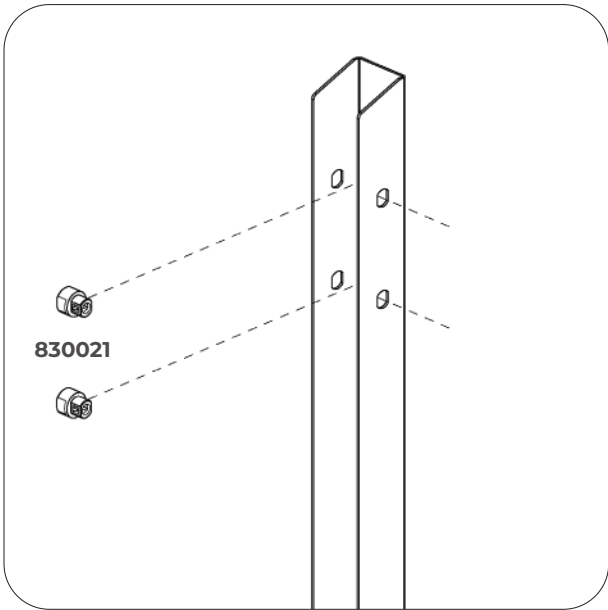
BlueGuard Single Leaf Sliding Door

ASSEMBLY INSTRUCTIONS



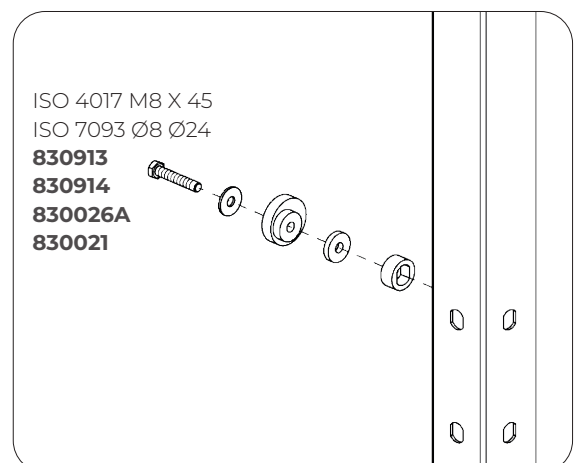
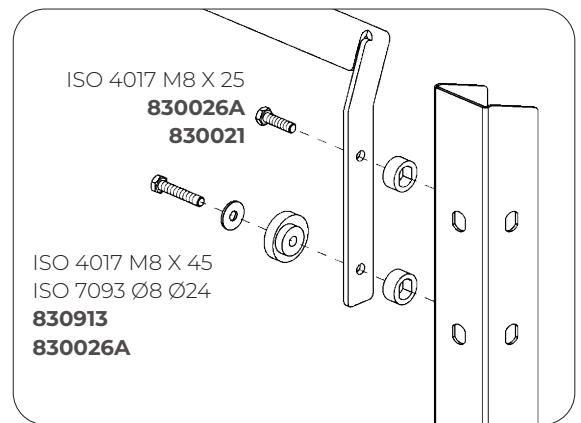
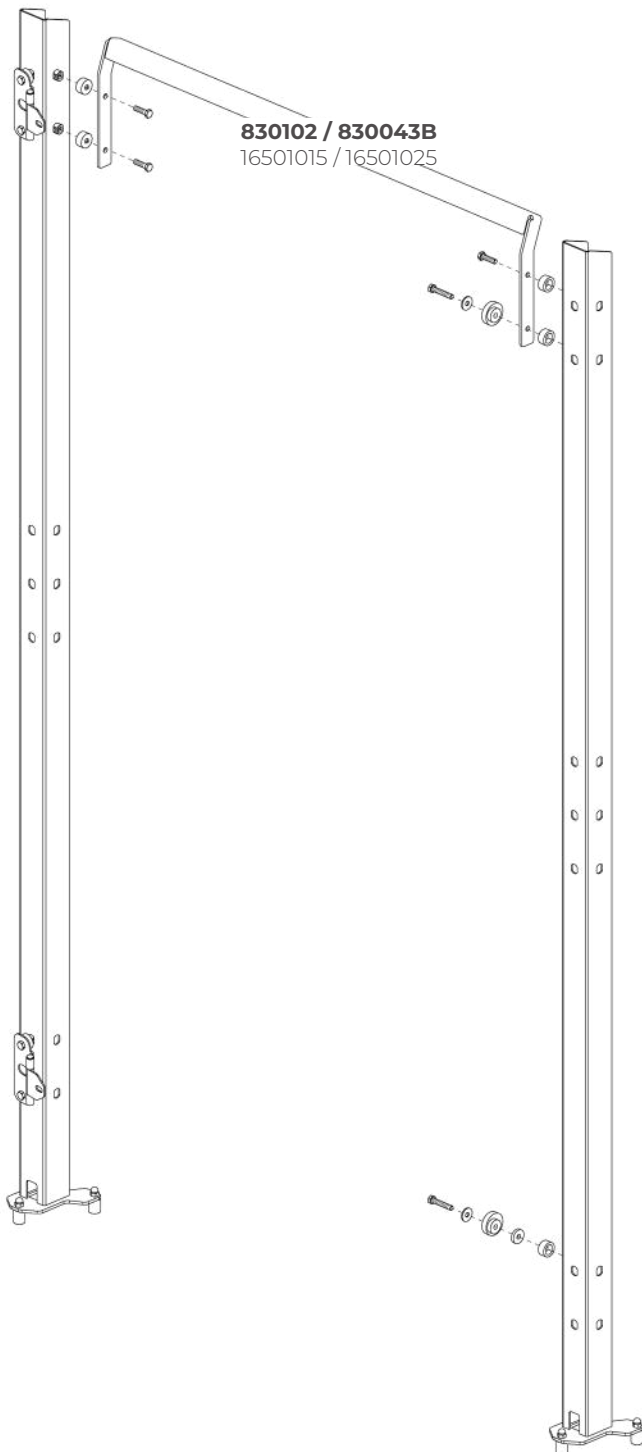
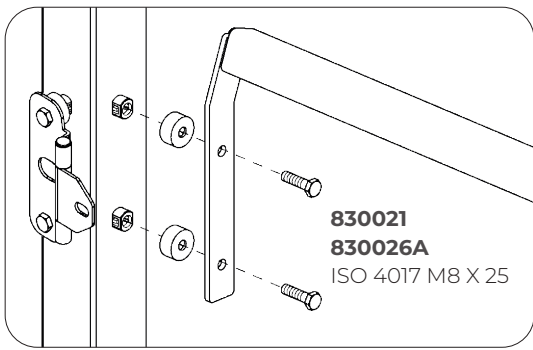
BlueGuard Single Leaf Sliding Door

ASSEMBLY INSTRUCTIONS



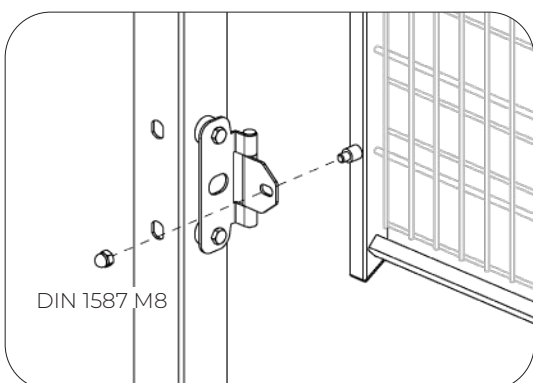
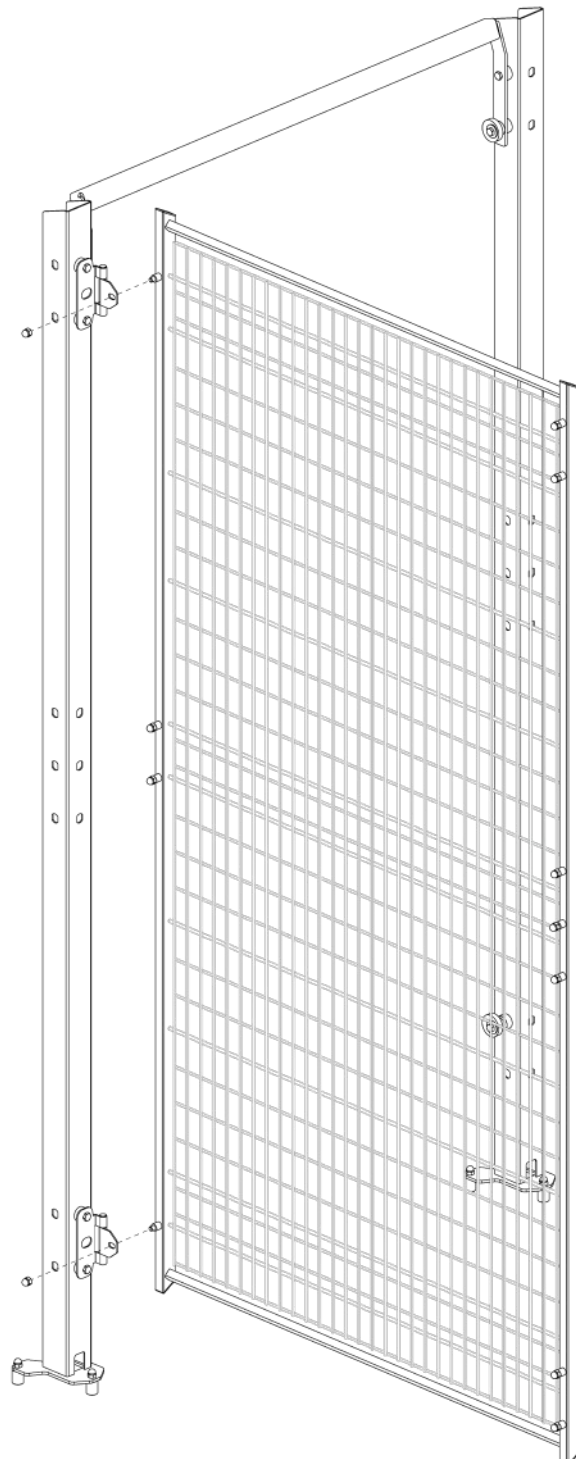
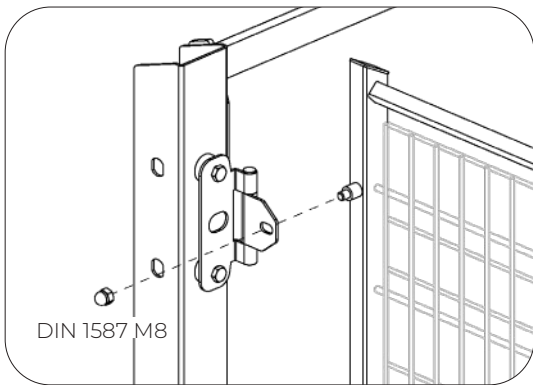
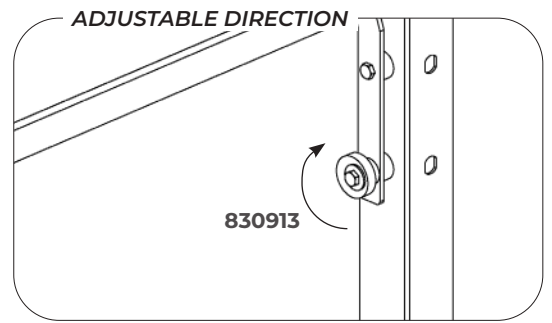
BlueGuard Single Leaf Sliding Door

ASSEMBLY INSTRUCTIONS



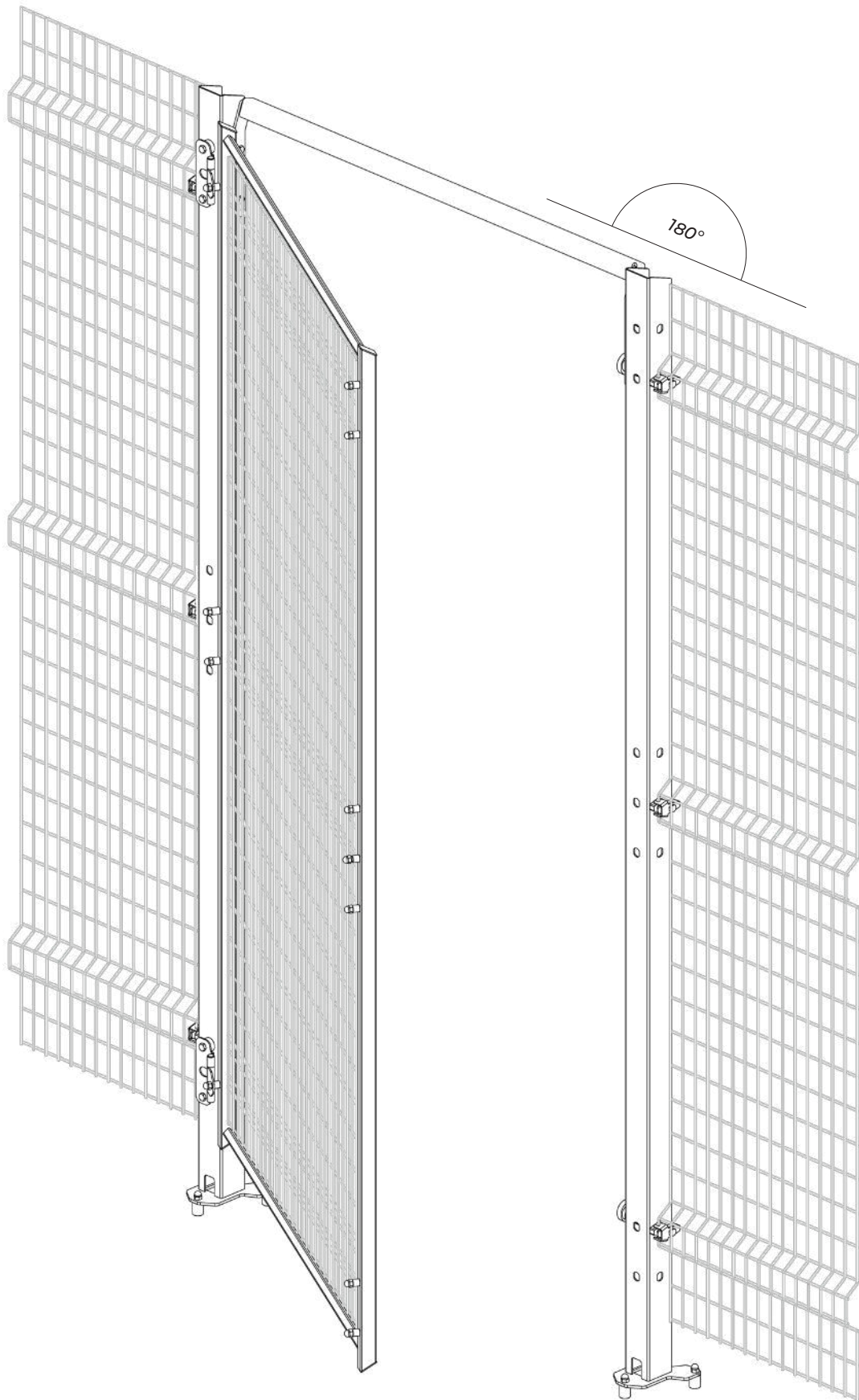
BlueGuard Single Leaf Sliding Door

ASSEMBLY INSTRUCTIONS



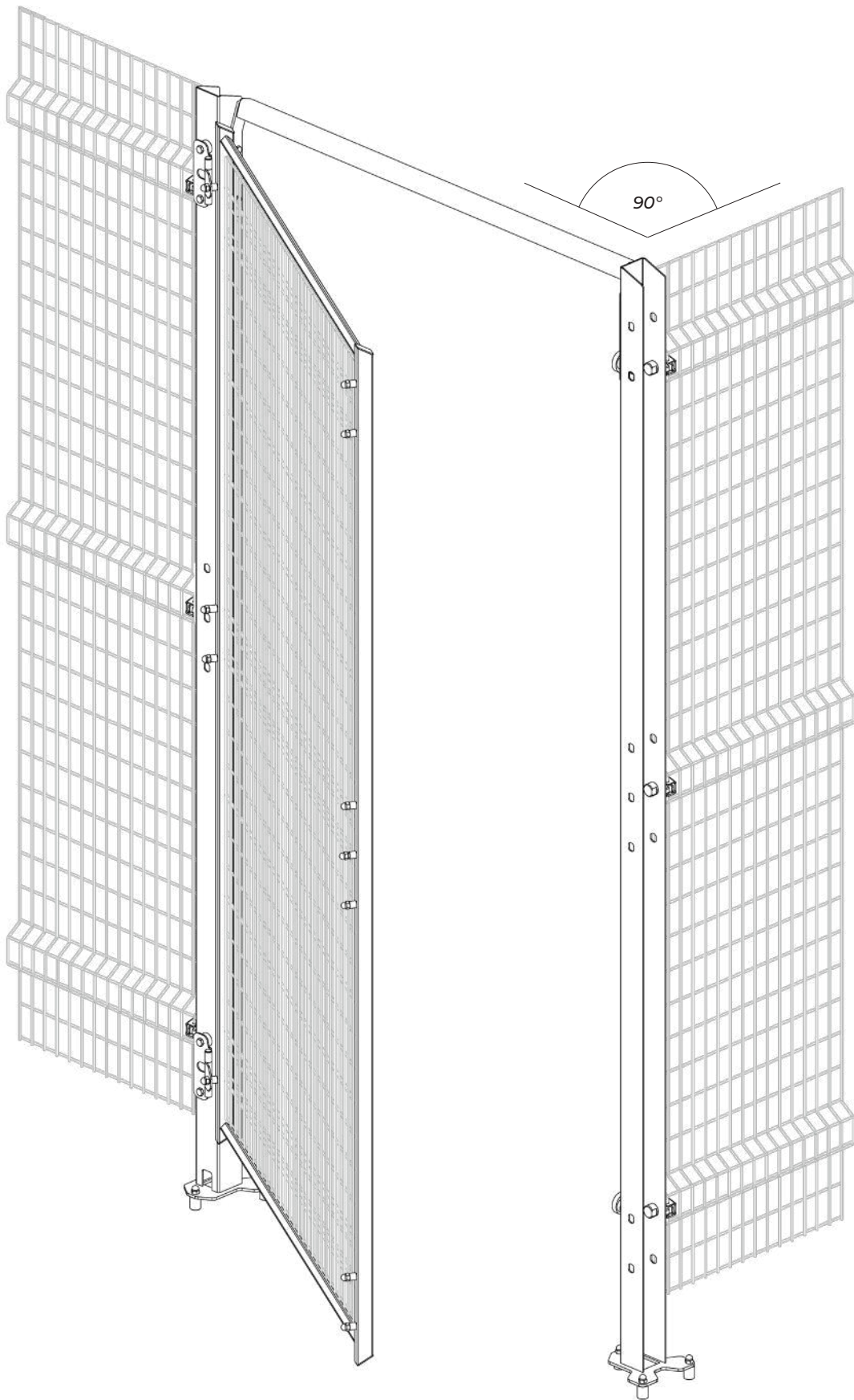
BlueGuard Single Leaf Sliding Door

ASSEMBLY INSTRUCTIONS - LINEAR



BlueGuard Single Leaf Sliding Door

ASSEMBLY INSTRUCTIONS - ANGULAR 90°



A large grid of graph paper for taking notes. The grid consists of 20 columns and 30 rows of small squares, providing a structured space for writing or drawing.